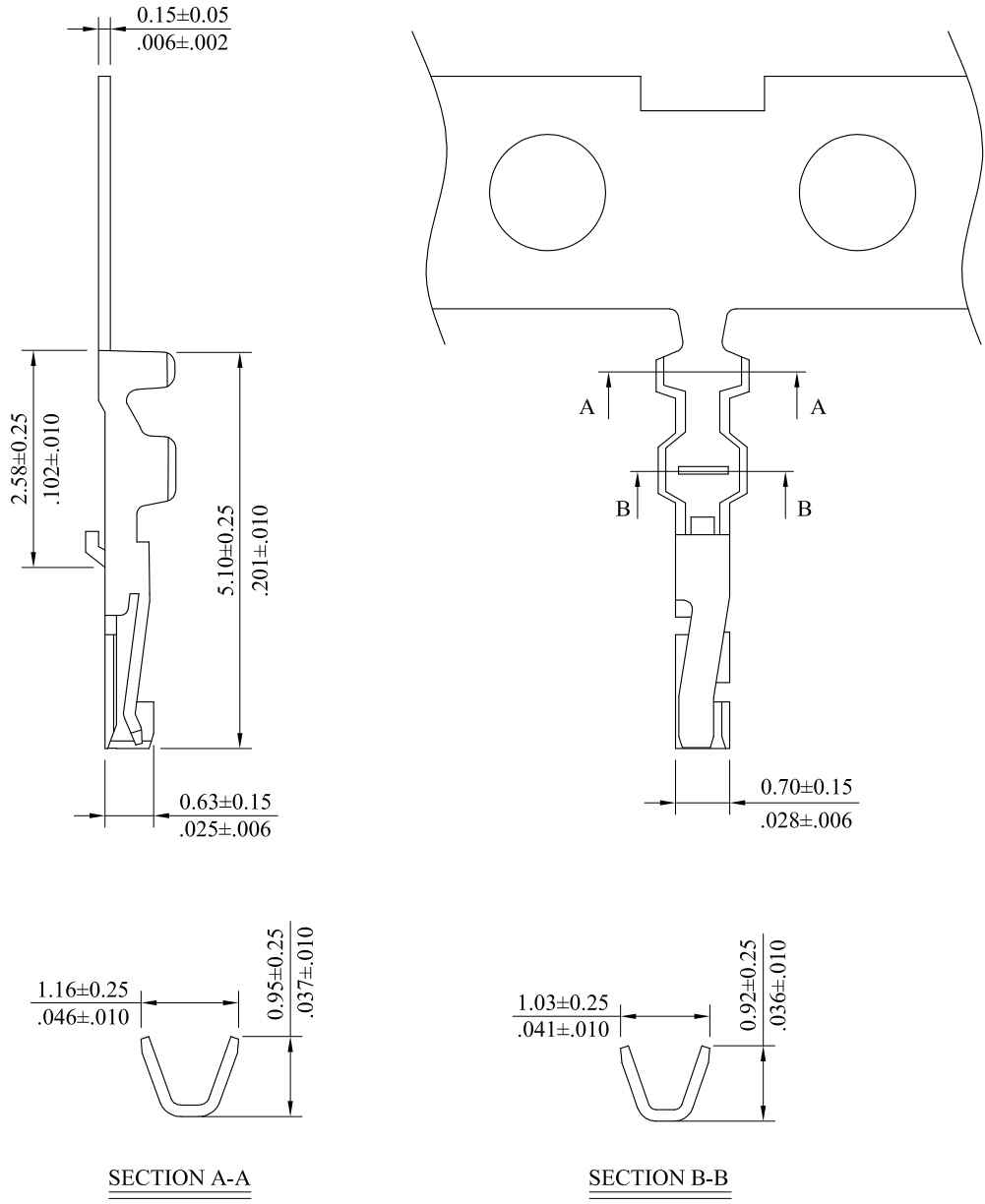


* Material: Phosphor Bronze
 * Applicable wires AWG 28~32
 * Plating : Glod flash over 30~50u"nickel overall

RoHS COMPLIANT



SECTION A-A

SECTION B-B

				leoco LEOCO CORPORATION		APPROVED:		PART NO.: 1000TPBU000				
				GENERAL TOLERANCES: (UNLESS SPECIFIED)		DATE:		TITLE: TERMINAL				
						CHECKED:		DRAWING NO.: 100002S				
						DATE:						
B	ES101138			1 PLACE	± 0.30	± --	DRAWN:					
				2 PLACES	± 0.20	± .012	DATE:					
				3 PLACES	± 0.10	± .008	DATE:					
				4 PLACES	± --	± .004	DATE:					
REV.	ECO. NO.	CHG.	APP.	ANGULAR ± (1°)				UNITS	SCALE	SIZE	SHEET	REV.
								$\frac{mm}{inch}$	10:1	A4	1/1	B