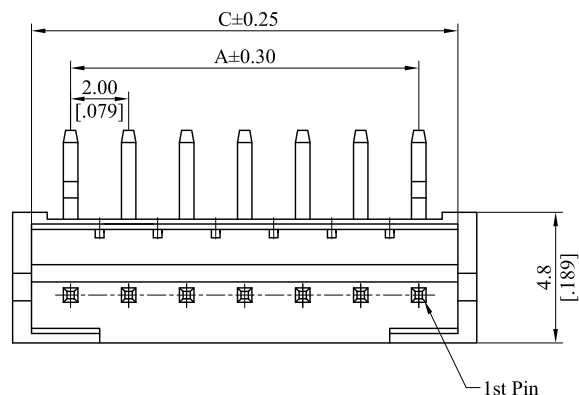


RoHS COMPLIANT

CUSTOMER DRAWING			
REV.	ECO. NO.	DESCRIPTION	DATE
K	DWG. REL.	CHANGE THE TRIANGLE MARK DIRECTION	
L	DWG. REL.	ADD FIRST PIN MARK	
M	ES180610	A-2 Area:Change A±0.25 to A±0.30	2018.07.31



Note:

Material:
Insulator: Thermoplastic, UL94V-0, White
Contact: Brass

General part number:

2011P** H * 00
1 2

1.No. of circuits(02~16)

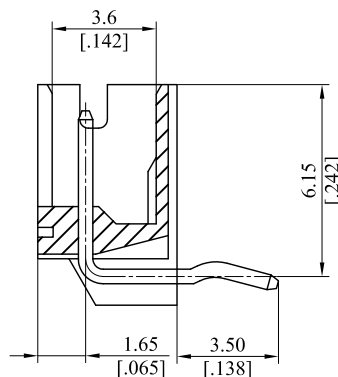
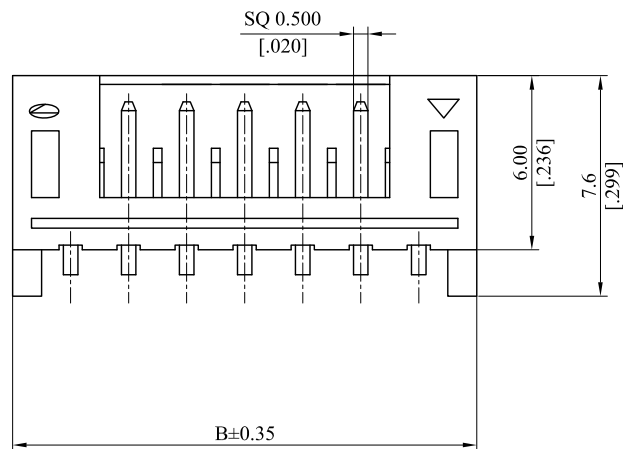
2.Plating

0=Tin plated 120μ" min. over 30μ" min. Nickel underplating overall

A=2.00(.078")xNo.of spces

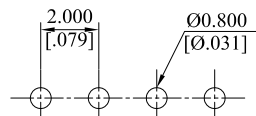
B=A+4.00(.157")

C=A+2.70(.106")



Circuits with The position of the kink

circuits	the position of the kink
2P	1st 2nd
3P	1st 3rd
4P	1st 4th
5P	1st 5th
6P	1st 6th
7P	1st 4th 7th
8P	1st 4th 8th
9P	1st 5th 9th
10P	1st 5th 10th
11P	1st 6th 11st
12P	1st 6th 12nd
13P	1st 7th 13rd
14P	1st 7th 14th
15P	1st 8th 15th
16P	1st 9th 16th



RECOMMENDED P.C.B LAYOUT

TOLERANCE UNLESS OTHERWISE SPECIFIED			LEOCO CORPORATION http://www.leoco.com.tw		
mm [inch]	mm	inch	APPROVED BY:	DATE:	TITLE:
1 PLACE	± 0.30	± ---	Chard	2018.07.31	2.00Pitch Wafer
2 PLACES	± 0.20	± .012	CHECKED BY:	DATE:	
3 PLACES	± 0.10	± .008	Angel	2018.07.31	PART NO.: 2011P**H*00
4 PLACES	± ---	± .004	Dylan	2018.07.31	
ANGULAR ±1°			SIZE:	SCALE:	DRAWING NO.: 201109S
			A3	1:1	
					SHEET: 1 OF 1