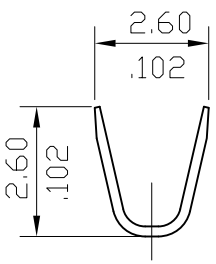
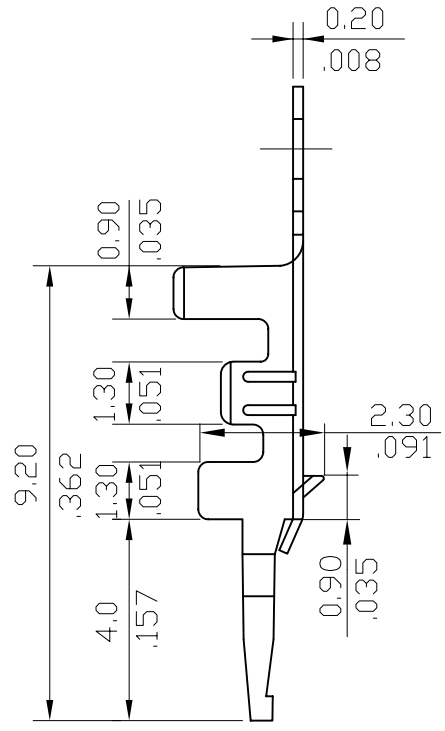
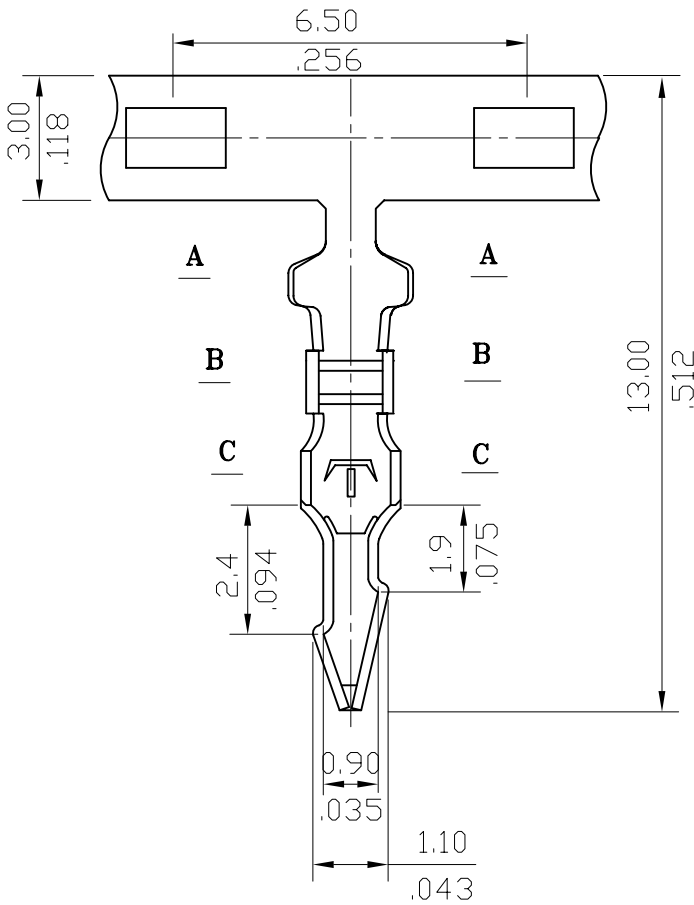


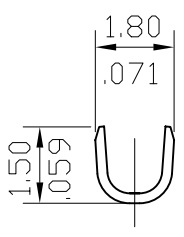
RoHS COMPLIANT

\*\*\* 2512 \*\*\*

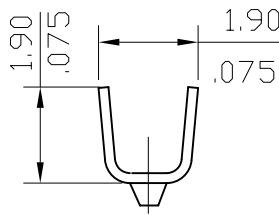
- \* Material: Phospor bronze
- \* Plating : Tin plated 120µ" min. over 30~50µ" nickel overall
- \* Applicable wire : AWG 22~28



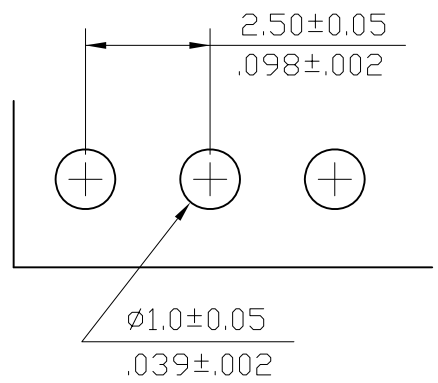
SEC A-A



SEC B-B



SEC C-C



RECOMMENDED HOLE PATTERN

				<b>leoco</b> LEOCO CORPORATION		APPROVED:		PART NO.: 2512TPBOVOA			
				GENERAL TOLERANCES: (UNLESS SPECIFIED)		DATE:		TITLE: TERMINAL			
C	ES081108					CHECKED:		DRAWING NO.: 251205S			
B	ES050623					DATE:					
A	DWG REL					DRAWN:					
REV.	ECO. NO.	CHG.	APP.			DATE:					
						ANGULAR ± ? 1° ?					
						UNITS		SCALE	SIZE	SHEET	REV.
						mm inch		4:1	A4	1/1	C