

*** 2593 Series ***

RoHS COMPLIANT

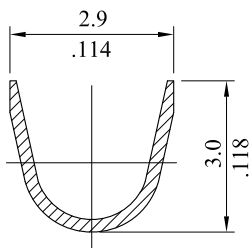
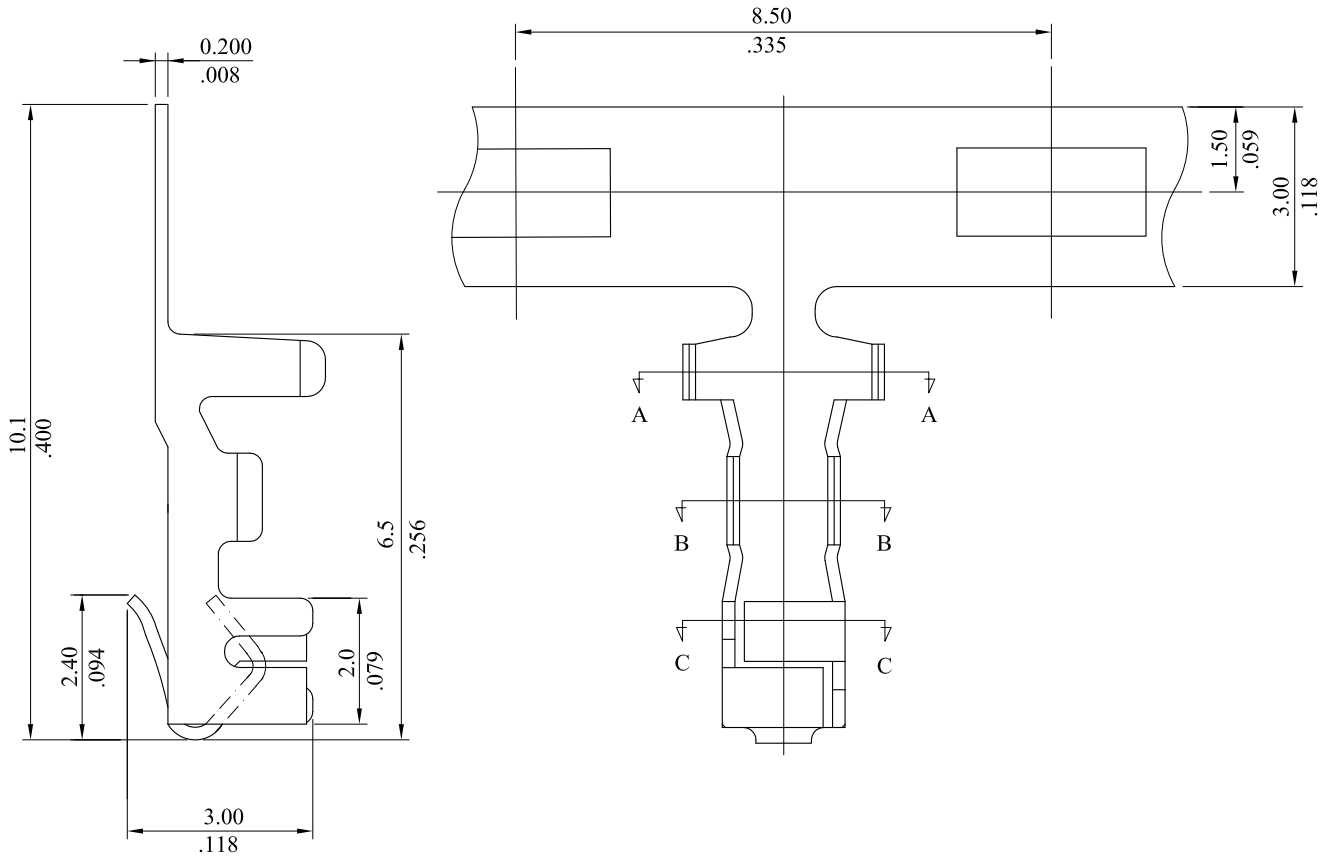
Material :

* Contact : Phosphor Bronze

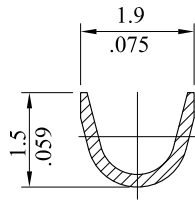
* Applicable wires: AWG#22~28

2593TPB * 000

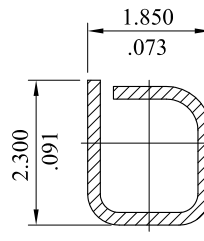
0= Tin plated 120μ " min over 30μ " min. nickel overall
 U= Gold flash over 30μ " min. nickel overall



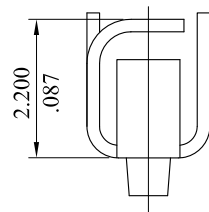
SEC A-A



SEC B-B



SEC C-C



				LEOCO CORPORATION	APPROVED:		PART NO.:					
					GENERAL TOLERANCES: (UNLESS SPECIFIED)		DATE:		2593TPB*000			
E	ES101238				mm	inch	CHECKED:	TITLE:				
D	ES050623			1 PLACE	± 0.30	± --	DATE:	CRIMPING TERMINAL				
A	DWG REL			2 PLACES	± 0.20	± .012	DRAWN:	DRAWING NO.:				
REV.	ECO. NO.	CHG.	APP.	3 PLACES	± 0.10	± .008	DATE:	259302S				
				4 PLACES	± --	± .004		UNITS	SCALE	SIZE	SHEET	REV.
				ANGULAR ± (1°)		mm inch		8:1	A4	1/1	E	