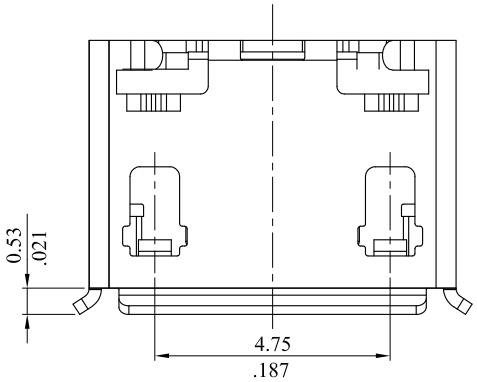
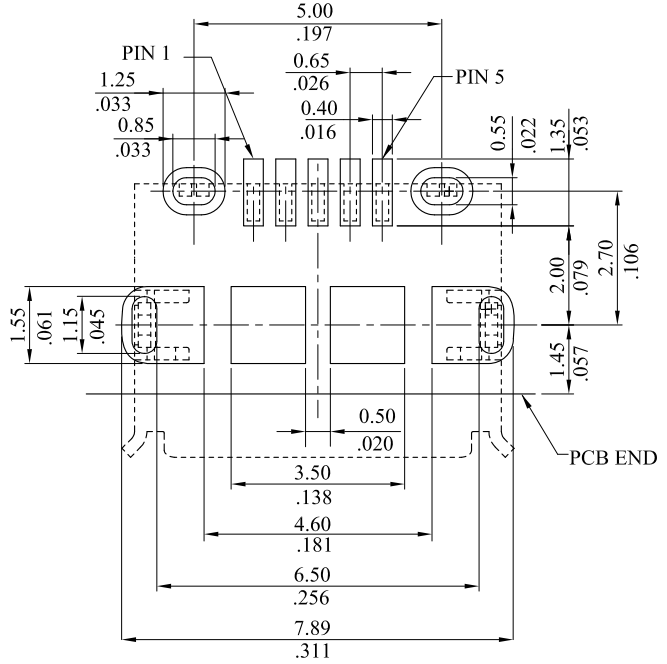
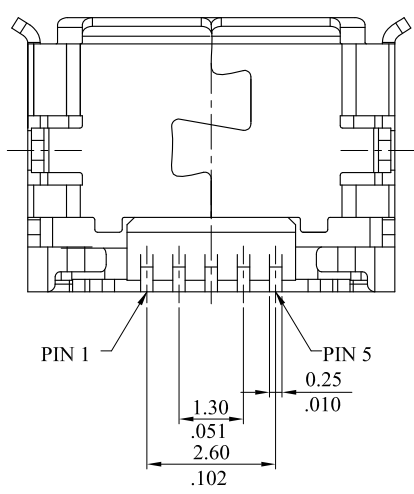
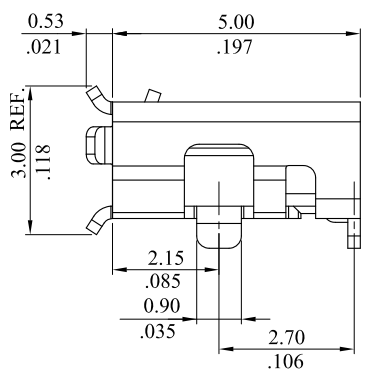
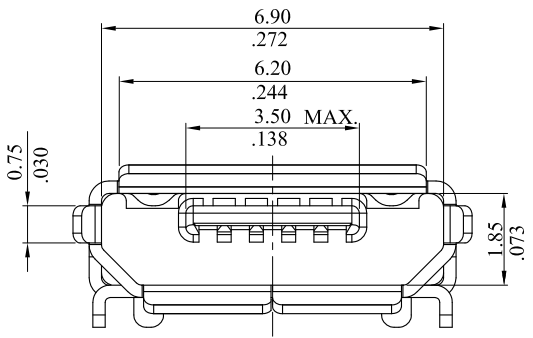


RoHS COMPLIANT



NOTE:
 1.Material:
 Insulator:LCP+30%G/F ,UL94V-0, Black
 Terminal:Copper Alloy
 Shell:Stainless Steel
 2.Ordering information:
 0650SBA * 300
 1
 1.Plating:
 F=Gold flash overall
 Q=Selective 15u" gold plated on contact area over gold flash overall
 D=Selective 30u" gold plated on contact area over gold flash overall



P.C.B. LAYOUT

			leoco LEOCO CORPORATION		APPROVED: Tony	PART NO.: 0650SBA*300				
			GENERAL TOLERANCES: (UNLESS SPECIFIED)		DATE: 04/23'14	TITLE: MICRO USB B/F				
C	ES140331	UPDATE NOTES		mm inch	CHECKED: Chard	DRAWING NO.: 065004S				
B	ES101209		1 PLACE	± 0.30 ± --	DATE: 04/23'14					
A	DWG REL		2 PLACES	± 0.20 ± .012	DRAWN: Chaos					
REV.	ECO. NO.	DESCRIPTION	3 PLACES	± 0.10 ± .008	DATE: 04/23'14	UNITS	SCALE	SIZE	SHEET	REV.
			4 PLACES	± -- ± .004		mm inch	6:1	A4	1/1	C
			ANGULAR ± (1°)							