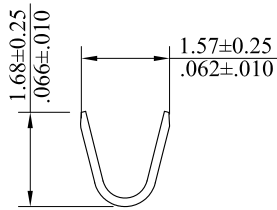
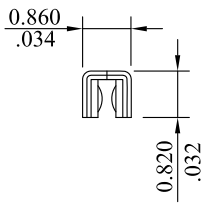
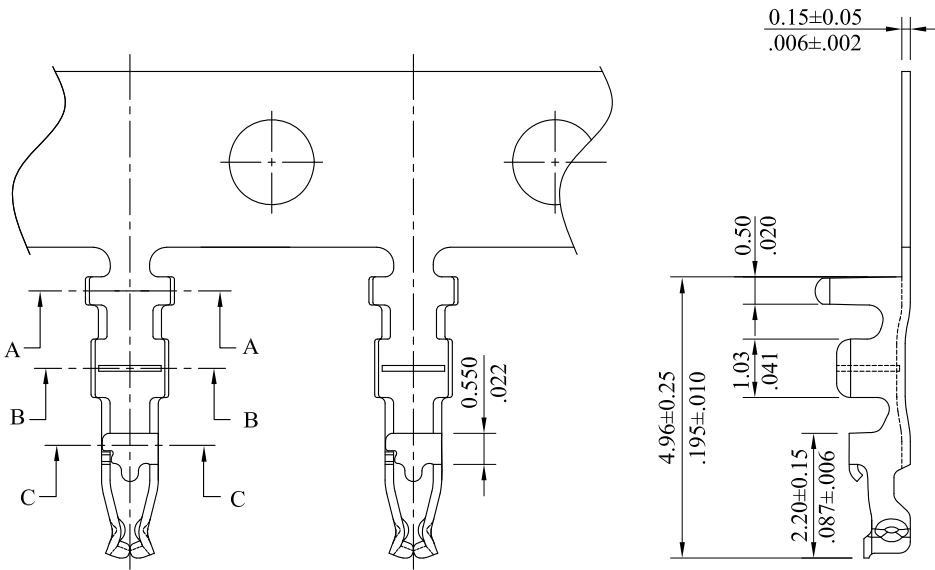


RoHS COMPLIANT

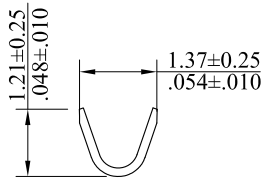
* Material: Phosphor Bronze

* Applicable wires AWG26~32

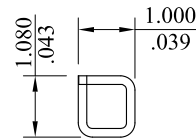
* Plating: Tin plated



SECTION A-A



SECTION B-B



SECTION C-C

				LEOCO CORPORATION GENERAL TOLERANCES: (UNLESS SPECIFIED)	APPROVED:		PART NO.:					
					DATE:		1258TPB0000					
C	ES101214			mm		CHECKED:		TITLE:				
				inch		DATE:		TERMINAL				
B	ES080952			1 PLACE	± 0.30	± --	DRAWN:		DRAWING NO.:			
				2 PLACES	± 0.20	± .012	DATE:		125801S			
A	DWG REL			3 PLACES	± 0.10	± .008	UNITS		SCALE	SIZE	SHEET	REV.
REV.	ECO. NO.	CHG.	APP.	4 PLACES	± --	± .004			7:1	A4	1/1	C
				ANGULAR		± (1°)						