

NOTES:

1.MATERIAL

HOUSING: HIGH TEMPERATURE THERMOPLASTIC.
CONTACT: COPPER ALLOY.
SHELL: COPPER ALLOY.

2.PLATING

CONTACT AREA: GOLD PLATED OVER Ni.
SOLDER TAIL: 100 u" MIN Sn/Pb PLATED OVER Ni.
SHELL SOLDER AREA: GOLD PLATED OVER Ni.

3.RATING

CURRENT RATING: 0.5A
VOLTAGE RATING: 200VRMS
OPERATING TEMPERATURE:-25°C~90°C

4.SPECIFICATION

CONTACT RESISTANCE: 40 MilliOHMS
DIELECTRIC WITHSTANDING VOLTAGE: 500VAC
INSULATION RESISTANCE: 100 MegOHMS
INSERTION FORCE: 40N MAX.
SEPARATION FORCE: 2N MIN.

Ordering Information:

1286 0 00 U 0 0 0
1 2 3 4 5

- 1: 0=Normal type
- 2: 00=Without standoff
- 3: Plating of terminal

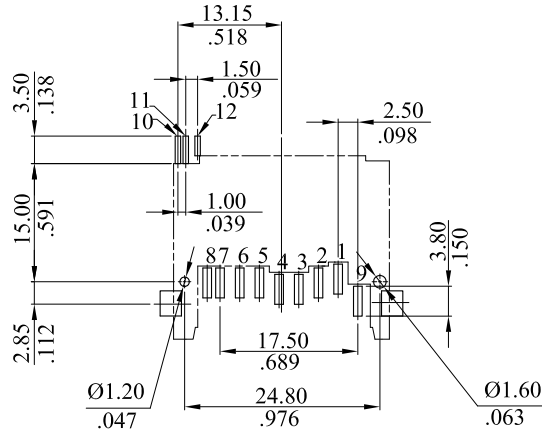
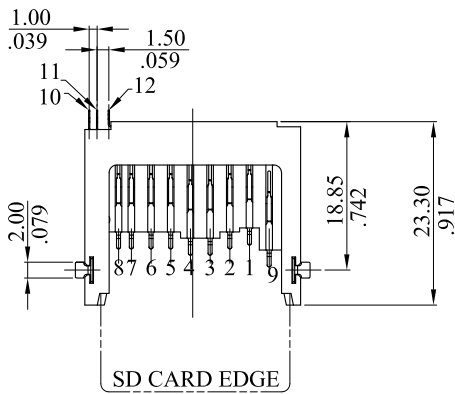
U= Gold flash
W= Gold plating 15u"
X= Gold plating 10u"

- 4: 0=Without shell
- 1=With shell

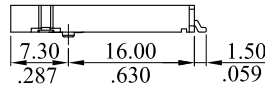
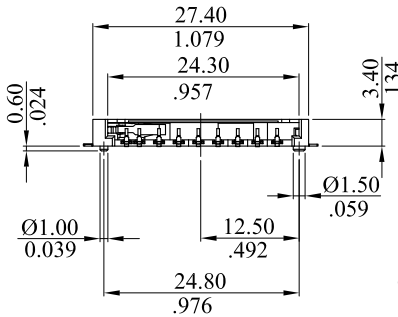
5: Mark

0=Black (Plating station not in line)

RoHS COMPLIANT



Recommend Hole Pattern



- 10--WRITE PROTECT PIN
- 11--COMMON PIN
- 12--CARD DETECT PIN



WITHOUT CARD



CARD INSERTED
WRITE PROTCT:LOCK



CARD INSERTED
WRITE PROTECT:UNLOCK

				leoco LEOCO CORPORATION		APPROVED:		PART NO.:				
				GENERAL TOLERANCES: (UNLESS SPECIFIED)		DATE:		1286000U000				
C	ES101214					CHECKED:		TITLE:				
						DATE:		SD CARD NORMALE TYPE				
B	ES070544					DRAWN:		DRAWING NO.:				
						DATE:		128601S				
A	DWG REL							UNITS	SCALE	SIZE	SHEET	REV.
REV.	ECO. NO.	CHG.	APP.					mm inch	1:1	A4	1/1	C
				ANGULAR ± (1°)								