

NOTES:

1.MATERIAL

HOUSING: HIGH TEMPERATURE THERMOPLASTIC.
 CONTACT: COPPER ALLOY.
 SHELL: COPPER ALLOY.

2.PLATING

CONTACT AREA: GOLD PLATED OVER Ni.
 SOLDER TAIL: 100 u" MIN Sn/Pb PLATED OVER Ni.
 SHELL SOLDER AREA: GOLD PLATED OVER Ni.

3.RATING

CURRENT RATING: 0.5A
 VOLTAGE RATING: 200VRMS
 OPERATING TEMPERATURE:-25°C~90°C

4.SPECIFICATION

CONTACT RESISTANCE: 40 MillioHMS
 DIELECTRIC WITHSTANDING VOLTAGE: 500VAC
 INSULATION RESISTANCE: 100 MegOHMS
 INSERTION FORCE: 40N MAX.
 SEPARATION FORCE: 2N MIN.

Ordering Information:

1286 0 00 U 1 7 4
 1 2 3 4 5

1: 0=Normal type

2: 00=Stand off 0mm

3: Plating of terminal

U= Gold flash

W= Gold plating 15u"

X= Gold plating 10u"

4: 0=Without shell

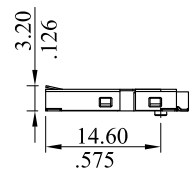
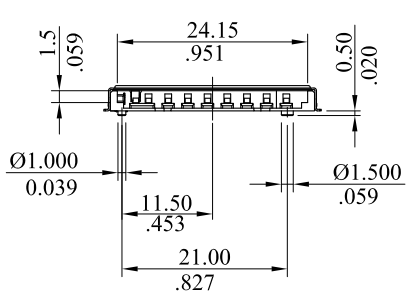
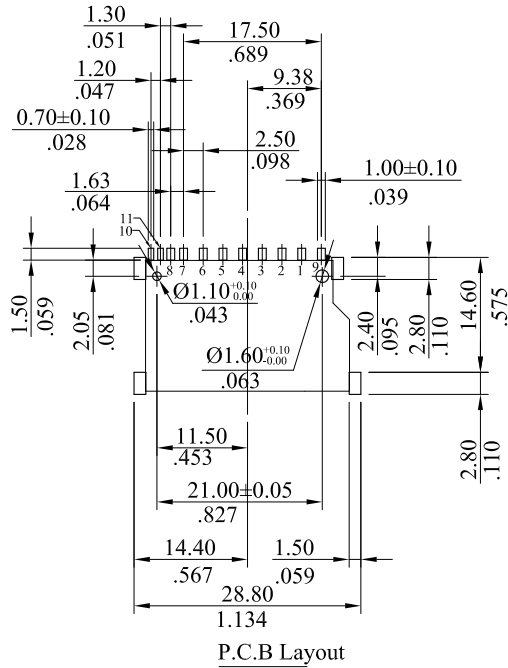
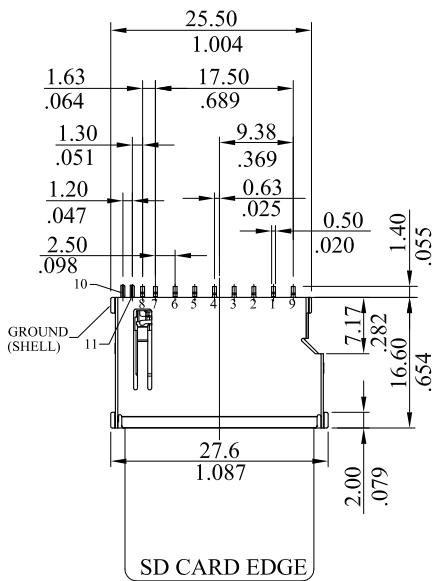
1=With shell

5: Mark

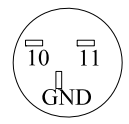
A=Black (Plating station in a line)

7=Ivory (Plating station in a line)

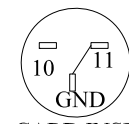
RoHS COMPLIANT



10--WRITE PROTECT PIN
 11--CARD DETECT PIN
 GROUND(SHELL)--COMMON PIN



WITHOUT CARD



CARD INSERTED
 WRITE PROTCT:LOCK



CARD INSERTED
 WRITE PROTECT:UNLOCK

				leoco LEOCO CORPORATION		APPROVED:		PART NO.:				
				GENERAL TOLERANCES: (UNLESS SPECIFIED)		DATE:		1286000*1*4				
C	ES101214					CHECKED:		TITLE:				
						DATE:		SD CARD SHORT NORMAL TYPE				
B	ES090834					DRAWN:		DRAWING NO.:				
						DATE:		128604S				
A	DWG REL					UNITS		SCALE	SIZE	SHEET	REV.	
REV.	ECO. NO.	CHG.	APP.			ANGULAR ± (1°)		$\frac{mm}{inch}$	1:1	A4	1/1	C