

Ordering Information :

1381 P ** M * * * *
 1 2 3 4 5

1. No. of Circuits : (10 ~ 100 Circuits)

10=10 circuits
 A0=100 circuits

2. M=SMT Type

3. Plating :

U=Gold over 30u"min. nickel overall
 W=15u"min. gold over 30u"min.nickel overall
 Z=30u"min.gold over 30u"min.nickel overall

4. Base Height options:

0: Dim.H=1.00mm(.039"), Dim.D=2.70mm(.106)
 1: Dim.H=1.00mm(.039"), Dim.D=2.0mm(.079")

5. P= With Post

0= Without Post

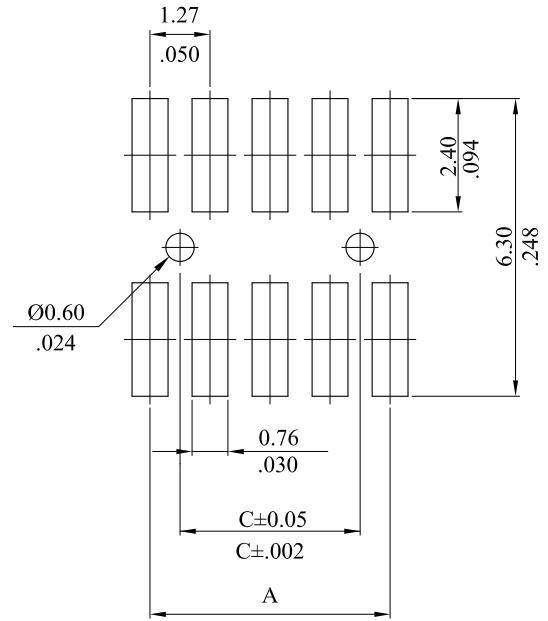
Material:

Insulator: Nylon-6T, UL94V-0

Color: Black

Contact: Brass

RoHS COMPLIANT

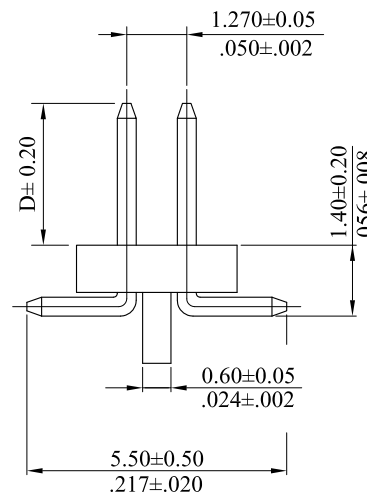
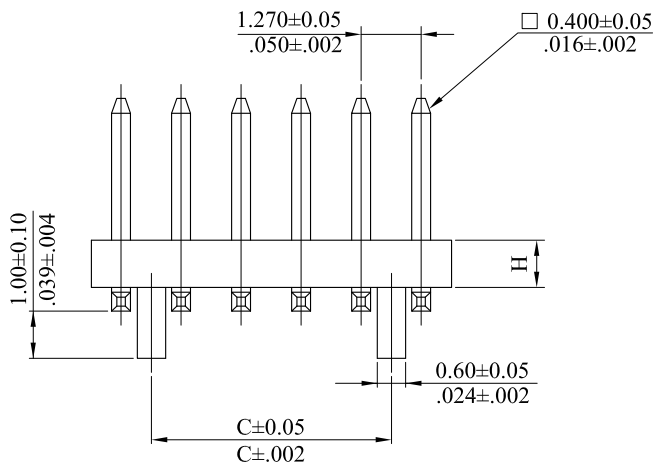
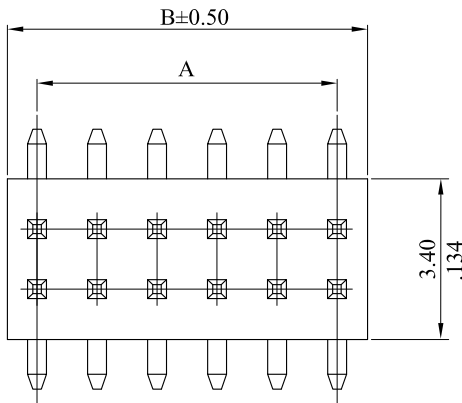


Recommended P.C.Board
 SMD Layout

Dim.A= (circuits/2-1) x 1.27mm(.050")

Dim.B= Dim.A + 1.27mm(.050")

Dim.C= Dim.A - 1.27mm(.050")



leoco LEOCO CORPORATION

GENERAL TOLERANCES:
 (UNLESS SPECIFIED)

	mm	inch
1 PLACE	± 0.30	± --
2 PLACES	± 0.20	± .012
3 PLACES	± 0.10	± .008
4 PLACES	± --	± .004

ANGULAR ± (1°)

APPROVED:

DATE:

CHECKED:

DATE:

DRAWN:

DATE:

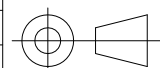
PART NO.:

1381P**M***

TITLE: (With Post)
 1.27mm(.050") Pitch
 SMT Type Pin Header

DRAWING NO.:

138106S



UNITS
 mm
 inch

SCALE	SIZE	SHEET	REV.
6:1	A4	1/1	D

REV.	ECO. NO.	CHG.	APP.
D	ES101222		
C	ES081117		
B	E010135		
A	DWG REL		