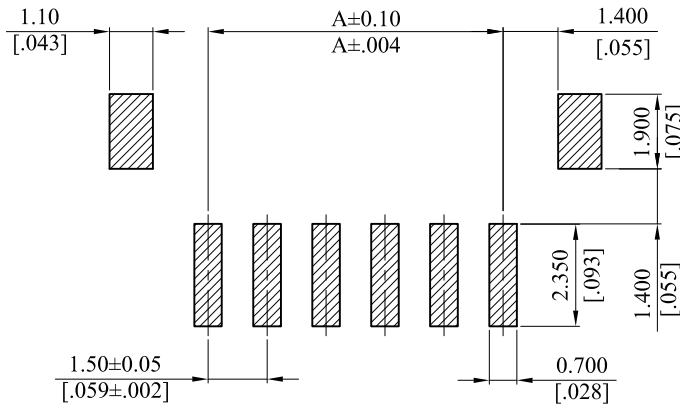
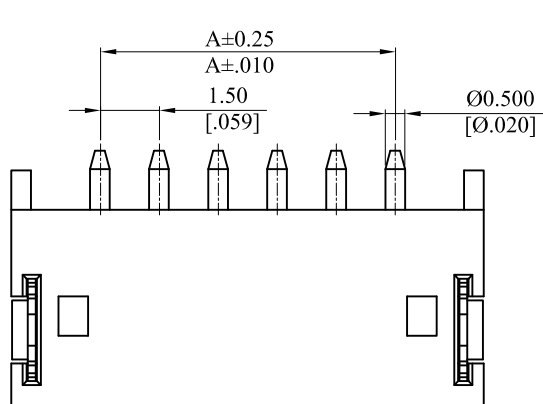


RoHS COMPLIANT

CUSTOMER DRAWING			
REV.	ECO. NO.	DESCRIPTION	DATE
A	DWG.REL.	APPROVED	
B	ES101222		
C	ES161027	UPDATE	2016.11.14
D	ES180822	D-2 Area:delete a dimension B-5 Area:Change 2.600 to 2.350 D-3 Area:Change 1.35 to 1.30	2018.08.30



Recommend PCB Layout

Note:

Material:
Insulator: High Temperature Thermoplastic, UL94V-0
Contact: Brass/Tin plated
Solder Tabs: Brass/Tin plated

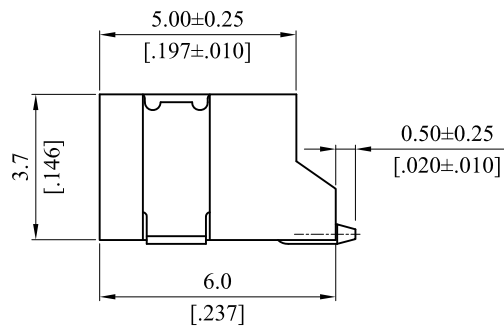
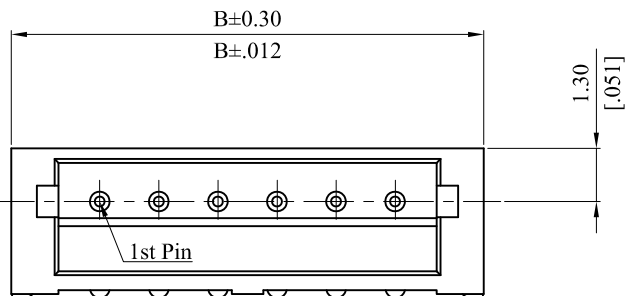
General part number:

1511P ** MH00

I

1.No.of circuits(02~15)

$A = 1.50(.059)$ mm No. of Spaces
 $B = A + 4.50(.177)$ mm



TOLERANCE UNLESS OTHERWISE SPECIFIED			LEOCO CORPORATION		
mm	mm	inch	http://www.leoco.com.tw		
[inch]	mm	inch	APPROVED BY:	DATE:	TITLE:
1 PLACE	± 0.30	± ---	Chard	2018.09.04	1.50mm(.059") Header
2 PLACES	± 0.20	± .012	CHECKED BY:	DATE:	
3 PLACES	± 0.10	± .008	Angel	2018.08.30	PART NO.: 1511P**MH00
4 PLACES	± ---	± .004	DRAWN BY:	DATE:	
ANGULAR ±1°			Dylan	2018.08.30	SIZE: A3
			SCALE: 1:1		DRAWING NO.: 151104S
					REV.: D
					SHEET: 1 OF 1