

RoHS COMPLIANT

CUSTOMER DRAWING

REV.	ECO. NO.	DESCRIPTION	DATE
A	DWG. REL.	APPROVED	
B	ES101222		
C	ES180822	Update the drawing	2018.08.29

Note:

Material:

Insulator: High Temperature Thermoplastic, UL94V-0, Natural

Contact: Brass/Tin plated

Solder Tabs: Brass/Tin plated

General Part Number:

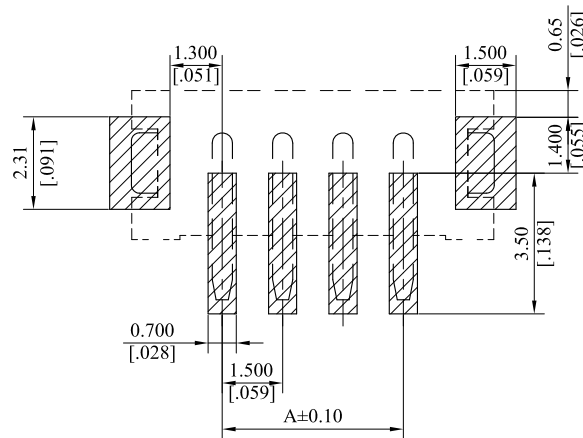
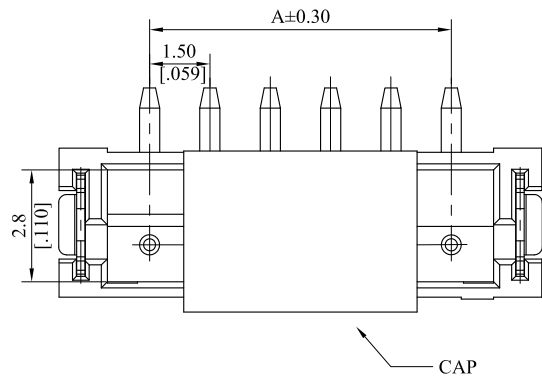
1511P\*\*MV00

1

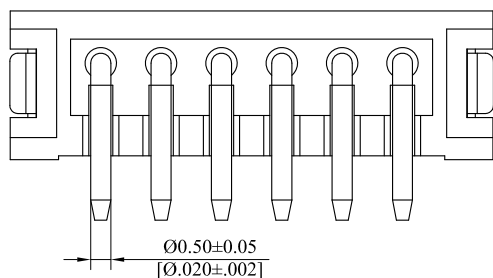
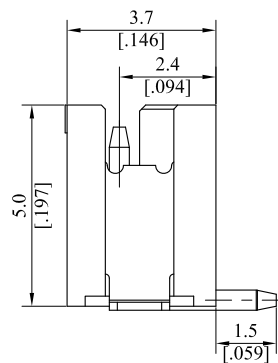
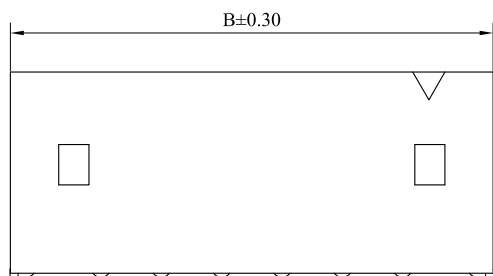
1.No.of circuits(02~15)

A=1.50(.059 ")mm\*No.of spaces

B=A+4.50(.177 ")mm



Recommended P.C.B Layout



TOLERANCE UNLESS OTHERWISE SPECIFIED			LEOCO CORPORATION <a href="http://www.leoco.com.tw">http://www.leoco.com.tw</a>		
mm [inch]	mm	inch	APPROVED BY: Chard	DATE: 2018.09.04	TITLE: 1.50mm pitch Wafer
1 PLACE	± 0.30	± ---	CHECKED BY: Angel	DATE: 2018.08.29	PART NO.: 1511P**MV00
2 PLACES	± 0.20	± .012	DRAWN BY: Dylan	DATE: 2018.08.29	
3 PLACES	± 0.10	± .008	SIZE: A3	SCALE: 1:1	DRAWING NO.: 151103S
4 PLACES	± ---	± .004	ANGULAR ±1°		REV.: C
					SHEET: 1 OF 1