

* Material:Nylon 6T,UL94V-0

* Solder Tabs:Brass

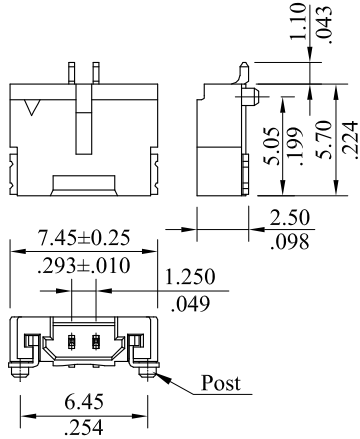
* Pin: Brass

Ordering Information:

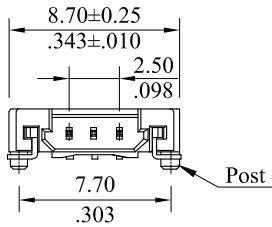
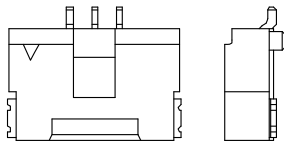
1258P ** M ** 0
1 2 3 4

RoHS COMPLIANT

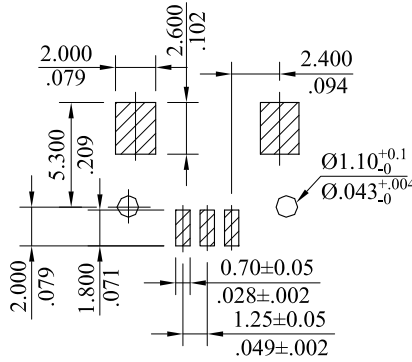
- 1.No.of circuits
- 2.M:SMT TYPE
- 3.H:Without Post Right Angle Type (02~09Pin)
P:With Post Right Angle Type
- 4.Plating:
0=Matte tin plated 80u"min.over 30u"nickel overall
U=Gold flash 1u"min. over 30u"nickel overall



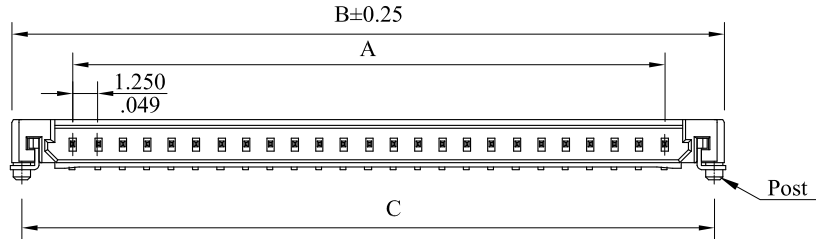
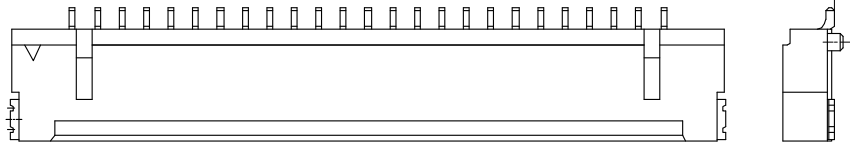
2P



3P



Recommended Hole Pattern



4~30P

Circuits	DIM. A	DIM. B	DIM. C	Circuits	DIM. A	DIM. B	DIM. C
04	3.75(.148)	9.95(.392)	8.95(.352)	12	13.75(.541)	19.95(.785)	18.95(.746)
05	5.00(.197)	11.20(.441)	10.20(.402)	13	15.00(.591)	21.20(.835)	20.20(.795)
06	6.25(.246)	12.45(.490)	11.45(.451)	14	16.25(.640)	22.45(.884)	21.45(.844)
07	7.50(.295)	13.70(.539)	12.70(.500)	15	17.50(.689)	23.70(.933)	22.70(.894)
08	8.75(.344)	14.95(.589)	13.95(.549)	20	23.75(.935)	29.95(1.179)	28.95(1.140)
09	10.00(.394)	16.20(.638)	15.20(.598)	21	25.00(.984)	31.20(1.228)	30.20(1.188)
10	11.25(.443)	17.45(.687)	16.45(.648)	25	30.00(1.181)	36.20(1.425)	35.20(1.386)
11	12.5(.492)	18.70(.736)	17.70(.697)	30	36.25(1.427)	42.45(1.671)	41.45(1.632)

E	ES140702	LEOCO CORPORATION GENERAL TOLERANCES: (UNLESS SPECIFIED) <table border="1"> <thead> <tr> <th></th> <th>mm</th> <th>inch</th> </tr> </thead> <tbody> <tr> <td>1 PLACE</td> <td>± 0.30</td> <td>± ---</td> </tr> <tr> <td>2 PLACES</td> <td>± 0.20</td> <td>± .012</td> </tr> <tr> <td>3 PLACES</td> <td>± 0.10</td> <td>± .008</td> </tr> <tr> <td>4 PLACES</td> <td>± ---</td> <td>± .004</td> </tr> </tbody> </table>		mm	inch	1 PLACE	± 0.30	± ---	2 PLACES	± 0.20	± .012	3 PLACES	± 0.10	± .008	4 PLACES	± ---	± .004	APPROVED: Chard	PART NO.: 1258P**M**0
	mm		inch																
1 PLACE	± 0.30		± ---																
2 PLACES	± 0.20		± .012																
3 PLACES	± 0.10		± .008																
4 PLACES	± ---		± .004																
D	ES120622	DATE:	CHECKED: Angel	TITLE: HEADER															
C	ES110742	DATE:	DRAWN: SMILE	DRAWING NO.: 125803S															
B	ES101214	DATE: 14.07.02																	
A	DWG REL																		
REV.	ECO. NO.	DISCRIPTION	UNITS <table border="1"> <thead> <tr> <th>mm</th> <th>inch</th> </tr> </thead> <tbody> <tr> <td>3:1</td> <td>A4</td> </tr> </tbody> </table>	mm	inch	3:1	A4	<table border="1"> <thead> <tr> <th>SCALE</th> <th>SIZE</th> <th>SHEET</th> <th>REV.</th> </tr> </thead> <tbody> <tr> <td>3:1</td> <td>A4</td> <td>1/1</td> <td>E</td> </tr> </tbody> </table>	SCALE	SIZE	SHEET	REV.	3:1	A4	1/1	E			
mm	inch																		
3:1	A4																		
SCALE	SIZE	SHEET	REV.																
3:1	A4	1/1	E																