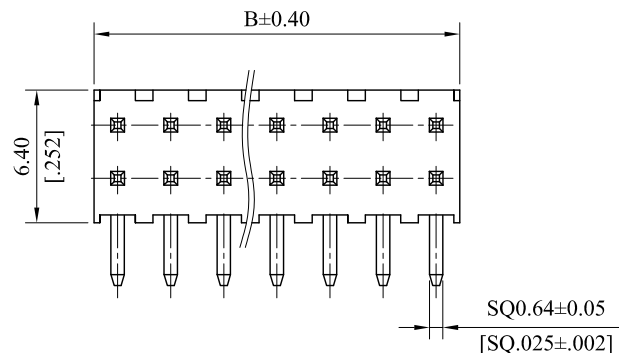


RoHS COMPLIANT

| CUSTOMER DRAWING | | | |
|------------------|-----------|-------------------|------------|
| REV. | ECO. NO. | DESCRIPTION | DATE |
| A | DWG. REL. | APPROVED | |
| B | ES071009 | | |
| C | ES170722 | Material:PBT→PA6T | 2017.07.25 |



Material:
 Insulator: High Temperature Thermoplastic,UL94V-0,Black
 Contact: Brass

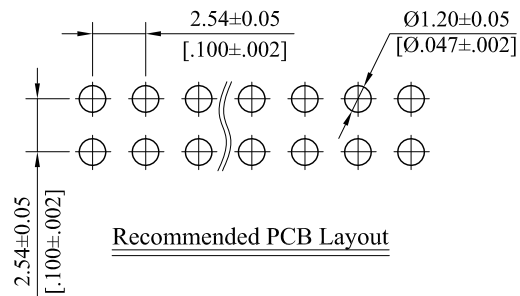
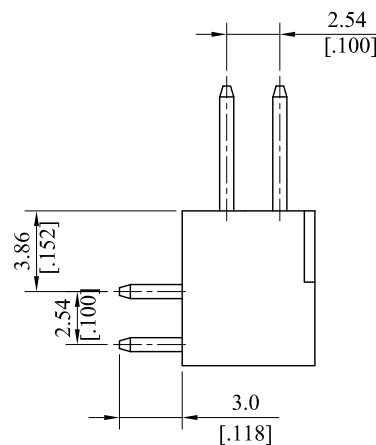
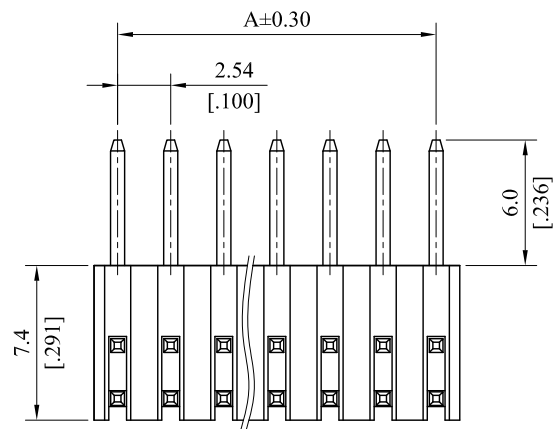
General part number:
 2569P *** 00W
 1 2

1.No.of circuits(2~80P)

2.Plating:

- T= Tin plated 120μ" min. over 30μ" min. Nickel underplating overall
- U= Gold flash over 30μ" min. Nickel underplating overall
- W= 15μ" min.Gold over 30μ" min. Nickel underplating overall
- Z= 30μ" min.Gold over 30μ" min. Nickel underplating overall

A= 2.54mm*No.of spaces
 B= A+2.54mm



| TOLERANCE UNLESS OTHERWISE SPECIFIED | | | LEOCO CORPORATION http://www.leoco.com.tw | | |
|--------------------------------------|--------|--------|---|------------|--|
| mm [inch] | mm | inch | APPROVED BY: | DATE: | TITLE: |
| 1 PLACE | ± 0.30 | ± -- | Chard | 2017.07.25 | 2.54mm Pitch Pin Header |
| 2 PLACES | ± 0.20 | ± .012 | Angel | 2017.07.25 | |
| 3 PLACES | ± 0.10 | ± .008 | Spring | 2017.07.25 | PART NO.: |
| 4 PLACES | ± -- | ± .004 | | | 2569P***00W |
| ANGULAR ±1° | | | SIZE: A3 | SCALE: 1:1 | DRAWING NO.: 256950S REV.: C SHEET: 1 OF 1 |