

Material: Phosphor bronze

Wire range:AWG24~28

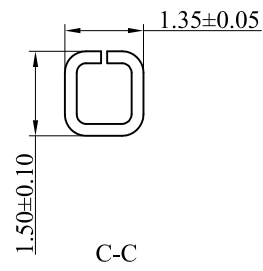
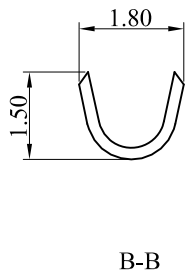
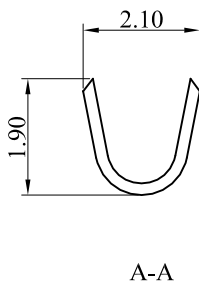
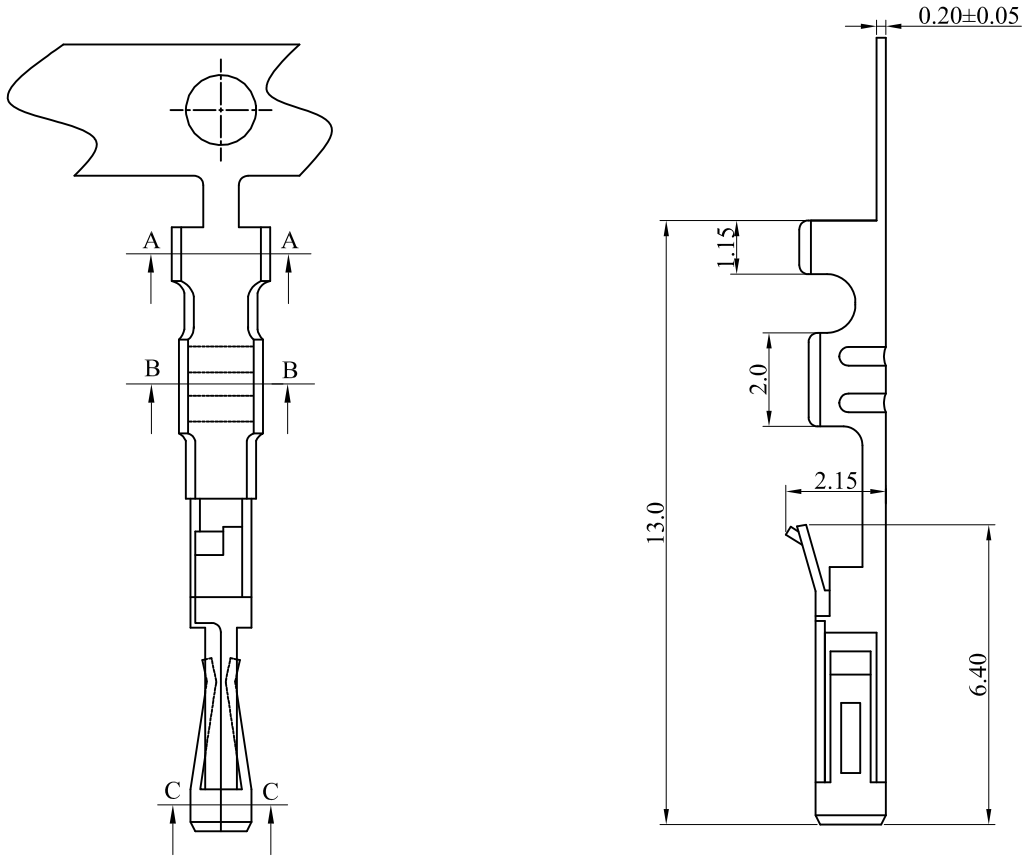
Ordering information:

2871TPBFF00

1.Plating:

F=Selective gold flash on contact area over 30u"min.nickel overall. tin plated on solder or other area

RoHS COMPLIANT



			LEOCO CORPORATION		APPROVED: Chard		PART NO.: 2871TPBFF00				
			GENERAL TOLERANCES: (UNLESS SPECIFIED)		DATE: 2015.11.06		TITLE: Terminal				
					CHECKED: angel						
					DATE: 2015.11.05		DRAWING NO.: 287102S				
					DRAWN: Spring						
					DATE: 2015.11.05						
A	DWG REL		1 PLACE	± 0.30	± --		UNITS	SCALE	SIZE	SHEET	REV.
REV.	ECO. NO.	DESCRIPTION	2 PLACES	± 0.20	± .012		mm	~	A4	1/1	A
			3 PLACES	± 0.10	± .008						
			4 PLACES	± --	± .004						
			ANGULAR ± (1°)								