

Ordering information

3594 S ** H * 00
1 2

1.No.of circuits

2.Plating:

- T= Tin plated 120μ " min over 30μ " min. nickel overall
- U= Gold flash over 30μ " min. nickel overall
- W= 15μ " min. gold over 30μ " min. nickel overall
- Z= 30μ " min. gold over 30μ " min. nickel overall

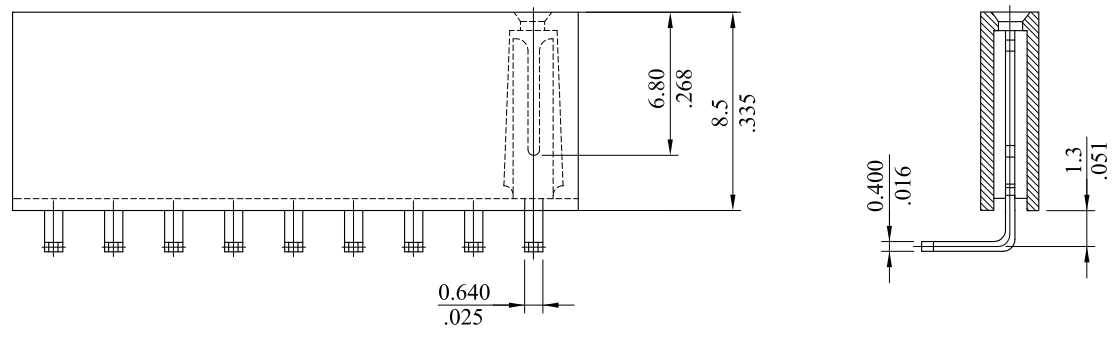
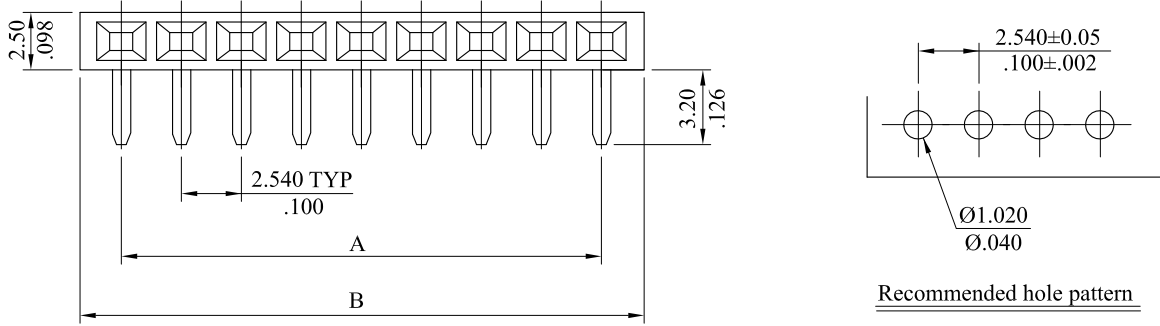
*** 3594 H Series ***

Material :

* Insulator : PBT, UL 94V-0

* Contact : Brass

RoHS COMPLIANT



CIRCUITS	PART NO.	DIMENSION		CIRCUITS	PART NO.	DIMENSION	
		A	B			A	B
2	3594S02H*00	2.540(.100)	5.6(.220)	22	3594S22H*00	53.340(2.100)	56.4(2.220)
3	3594S03H*00	5.080(.200)	8.1(.319)	23	3594S23H*00	55.880(2.200)	58.9(2.319)
4	3594S04H*00	7.620(.300)	10.7(.421)	24	3594S24H*00	58.420(2.300)	61.5(2.421)
5	3594S05H*00	10.160(.400)	13.2(.520)	25	3594S25H*00	60.960(2.400)	64.0(2.520)
6	3594S06H*00	12.700(.500)	15.7(.618)	26	3594S26H*00	63.500(2.500)	66.5(2.618)
7	3594S07H*00	15.240(.600)	18.3(.720)	27	3594S27H*00	66.040(2.600)	69.1(2.720)
8	3594S08H*00	17.780(.700)	20.8(.819)	28	3594S28H*00	68.580(2.700)	71.6(2.819)
9	3594S09H*00	20.320(.800)	23.4(.921)	29	3594S29H*00	71.120(2.800)	74.2(2.921)
10	3594S10H*00	22.860(.900)	25.9(1.020)	30	3594S30H*00	73.660(2.900)	76.7(3.020)
11	3594S11H*00	25.400(1.000)	28.4(1.118)	31	3594S31H*00	76.200(3.000)	79.2(3.118)
12	3594S12H*00	27.940(1.100)	31.0(1.220)	32	3594S32H*00	78.740(3.100)	81.8(3.330)
13	3594S13H*00	30.480(1.200)	33.5(1.319)	33	3594S33H*00	81.280(3.200)	84.3(3.319)
14	3594S14H*00	33.020(1.300)	36.1(1.421)	34	3594S34H*00	83.820(3.300)	86.9(3.421)
15	3594S15H*00	35.560(1.400)	38.6(1.520)	35	3594S35H*00	86.360(3.400)	89.4(3.520)
16	3594S16H*00	38.100(1.500)	41.1(1.618)	36	3594S36H*00	88.900(3.500)	91.9(3.618)
17	3594S17H*00	40.640(1.600)	43.7(1.720)	37	3594S37H*00	91.440(3.600)	94.5(3.720)
18	3594S18H*00	43.180(1.700)	46.2(1.819)	38	3594S38H*00	93.980(3.700)	97.0(3.819)
19	3594S19H*00	45.720(1.800)	48.8(1.912)	39	3594S39H*00	96.520(3.800)	99.6(3.921)
20	3594S20H*00	48.260(1.900)	51.3(2.020)	40	3594S40H*00	99.060(3.900)	102.1(4.020)
21	3594S21H*00	50.800(2.000)	53.8(2.118)				

LECO CORPORATION				APPROVED:		PART NO.:																		
				DATE:		3594S**H*00																		
D	ES101227	GENERAL TOLERANCES: (UNLESS SPECIFIED)		CHECKED:		TITLE:																		
C	ES060105			DATE:		HEADER																		
B	ES050501	<table border="1" style="width: 100%;"> <thead> <tr> <th></th> <th>mm</th> <th>inch</th> </tr> </thead> <tbody> <tr> <td>1 PLACE</td> <td>± 0.30</td> <td>± --</td> </tr> <tr> <td>2 PLACES</td> <td>± 0.20</td> <td>± .012</td> </tr> <tr> <td>3 PLACES</td> <td>± 0.10</td> <td>± .008</td> </tr> <tr> <td>4 PLACES</td> <td>± --</td> <td>± .004</td> </tr> </tbody> </table>			mm	inch	1 PLACE	± 0.30	± --	2 PLACES	± 0.20	± .012	3 PLACES	± 0.10	± .008	4 PLACES	± --	± .004	DRAWN:		DRAWING NO.:			
	mm			inch																				
1 PLACE	± 0.30	± --																						
2 PLACES	± 0.20	± .012																						
3 PLACES	± 0.10	± .008																						
4 PLACES	± --	± .004																						
A	DWG REL	ANGULAR ± (1°)		DATE:		359401S																		
REV.	ECO. NO.			CHG.	APP.	UNITS mm / inch		SCALE	SIZE	SHEET	REV.													
						3:1	A4	1/1	D															