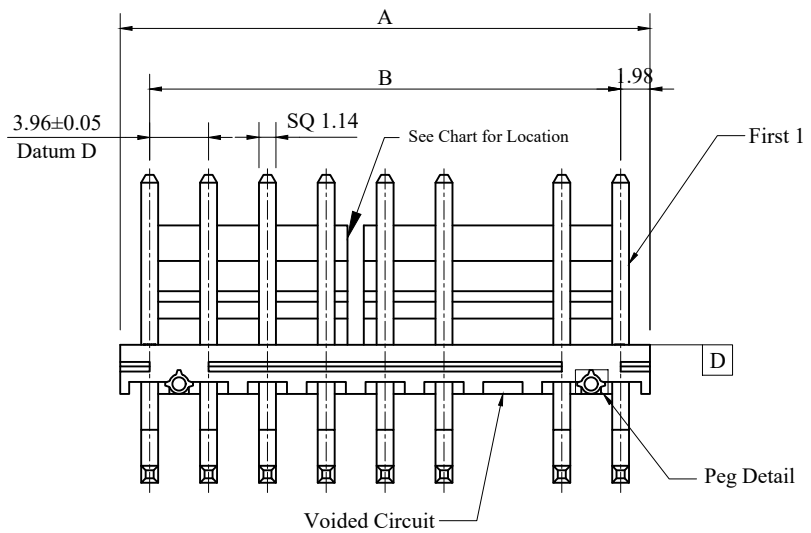
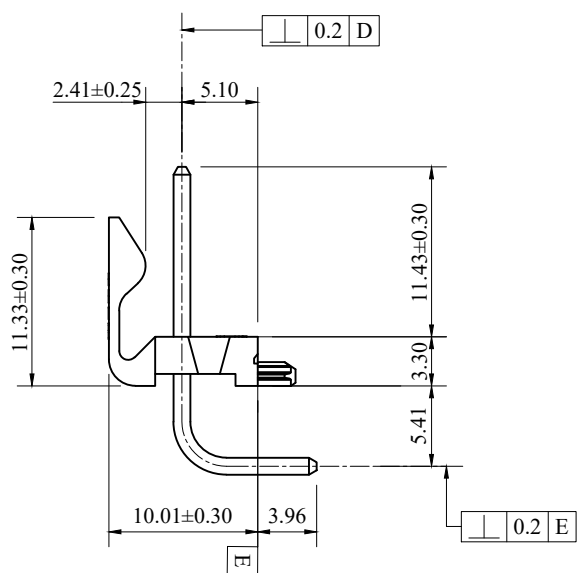


REV.	ECO. NO.	DESCRIPTION	DATE
C	ES211210	Update	2021.12.27
D	ES221202	Add verticality mark & Increase tolerance of adjacent pin distance and Datum mark	2022.12.01
E	ES230902	B-7area and D-7area: Add 6 Circuit C-7area: Add 2=Voided 2&4 Circuits E-8area: Add 6 Circuits Slot Loc Between Ckts	2023.09.05
F	ES230911	D-4area and D-5area: Modify the shape of 2p-3p escape groove	2023.09.25
G	ES231202	D-2area: Add Peg Detail	2023.12.13
H	ES240603	E-5area/B-7area/D-7area: Add 8P instructions C-7area: Add Package: Tape&reel D-7area: Add 2=Voided 2&4 Circuits 6=Voided 3&5 Circuits	2024.06.11

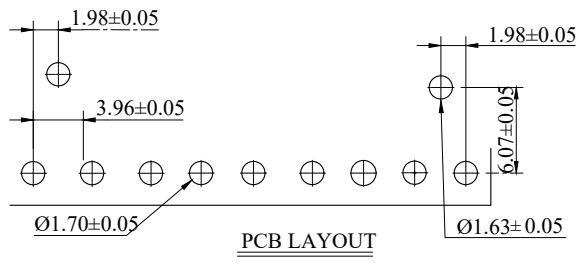
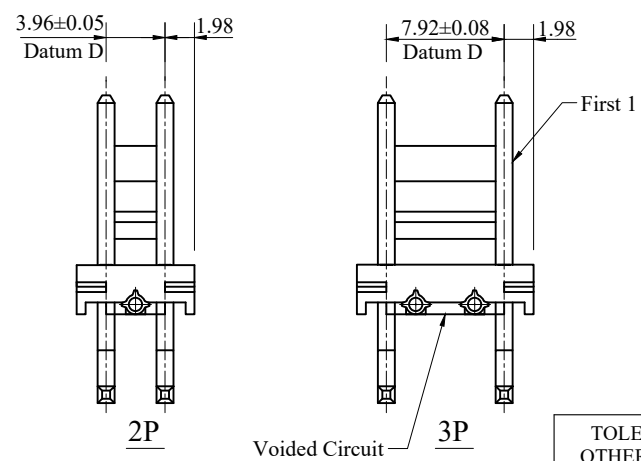
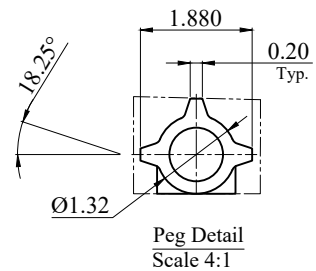


Note:
 Material:
 Insulator: Thermoplastic, UL94 V-0, White
 Contact: Copper alloy

Ordering Information:
 3972 P ** H * * *
 1 2 3 4 5 6

1: Series No.
 2: No. of circuits(2,3,5,6,7,8,9circuits)
 3: Right angle type
 4: Packaging:
 P=Bulk
 R=Tape&reel
 5: Plating
 F= Selective gold flash on contact area and Sn 100µ"min on solder tail over Nickel 50µ"min. overall.
 J= Selective Au 15µ" min. on contact area and Sn 100µ"min on solder tail over Nickel 50µ"min. overall.
 0= Tin plated 120µ"min. over 30µ"min. nickel overall

6: Voided Option
 0=Full Circuit
 4=Voided 3 Circuit
 1=Voided 2 Circuit
 2=Voided 2&4 Circuits
 6=Voided 3&5 Circuits



Circuits	DIM.A	DIM.B
9	35.64±0.25	31.68±0.13
8	31.68±0.25	27.72±0.13
7	27.72±0.20	23.76±0.10
6	23.76±0.20	19.80±0.10
5	19.8±0.15	15.84±0.10
3	11.88±0.15	7.92±0.08
2	7.92±0.15	3.96±0.05

TOLERANCE UNLESS OTHERWISE SPECIFIED

mm	mm	inch
1 PLACE	± 0.30	± ---
2 PLACES	± 0.20	± ---
3 PLACES	± 0.10	± ---
4 PLACES	± ---	± ---

LEOCO CORPORATION
<http://www.leoco.com.tw>

APPROVED BY: Chard	DATE: 2024.06.07	TITLE: HEADER
CHECKED BY: Jack	DATE: 2024.06.07	
DRAWN BY: Angel	DATE: 2024.06.07	PART NO.: 3972P**H***
SIZE: A3	SCALE: 1:1	DRAWING NO.: 397201S
		REV.: H
		SHEET: 1 OF 1

No.of Ckts	2	3	5	6	7	8	9
Slot Loc Between Ckts	None	None	None	3&4	4&5	4&5	5&6

ANGULAR ±1°