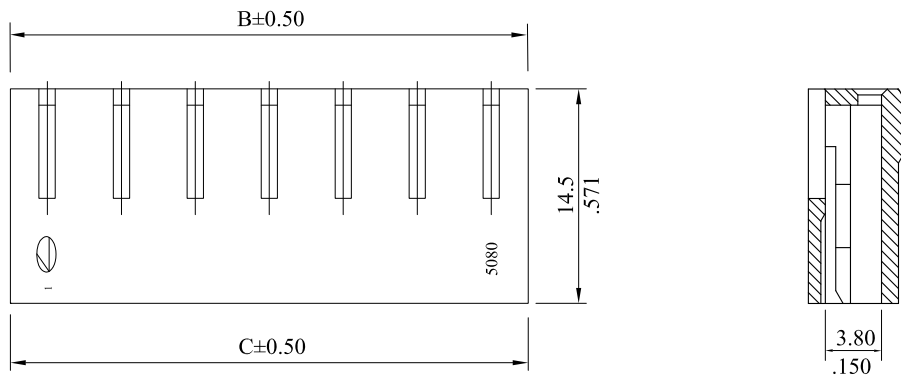
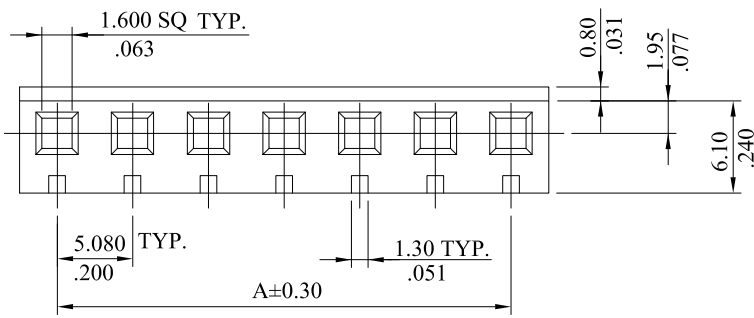


*** 5080 Series ***

Material : UL 94V-0 Nylon 6/6

RoHS COMPLIANT



| Circuits | Dimension | | |
|----------|--------------|--------------|--------------|
| | A | B | C |
| 2 | 5.08(.200) | 10.2(.402) | 10.5(.413) |
| 3 | 10.16(.400) | 15.2(.598) | 15.5(.610) |
| 4 | 15.24(.600) | 20.3(.799) | 20.5(.807) |
| 5 | 20.32(.800) | 25.4(1.000) | 25.7(1.012) |
| 6 | 25.40(1.000) | 30.5(1.201) | 30.8(1.213) |
| 7 | 30.48(1.200) | 35.6(1.402) | 35.9(1.413) |
| 8 | 35.56(1.400) | 40.6(1.598) | 40.9(1.610) |
| 9 | 40.64(1.600) | 45.7(1.799) | 46.0(1.811) |
| 10 | 45.72(1.800) | 50.8(2.000) | 51.1(2.012) |
| 11 | 50.80(2.000) | 55.9(2.201) | 56.2(2.213) |
| 12 | 55.88(2.200) | 61.0(2.402) | 61.3(2.413) |
| 13 | 60.96(2.400) | 66.0(2.598) | 66.3(2.610) |
| 14 | 66.04(2.600) | 71.1(2.799) | 71.4(2.811) |
| 15 | 71.12(2.800) | 76.2(3.000) | 76.5(3.012) |
| 16 | 76.20(3.000) | 81.3(3.201) | 81.6(3.213) |
| 17 | 81.28(3.200) | 86.4(3.401) | 86.7(3.413) |
| 18 | 86.36(3.400) | 91.4(3.598) | 91.7(3.610) |
| 19 | 91.44(3.600) | 96.5(3.799) | 96.8(3.811) |
| 20 | 96.52(3.800) | 101.6(4.000) | 102.0(4.016) |

| | | | | | | | | | |
|------|----------|--|---|--------------------|------------------|-------------|------|-------|------|
| G | ES150905 | C-3 area change shape | LECO CORPORATION | APPROVED: Chard | PART NO.: | | | | |
| | F | ES130721 | | UPDATE DIM.C | DATE: 2015.11.23 | 5080S**0000 | | | |
| E | ES130716 | ADD DIM.C CHANGE DIM.A AND DIM.B TOLERANCE | GENERAL TOLERANCES: (UNLESS SPECIFIED) | CHECKED: Angel | TITLE: | | | | |
| | | | | DATE: 2015.11.23 | HOUSING | | | | |
| D | ES101218 | | | DRAWN: Spring | DRAWING NO.: | | | | |
| C | ES081001 | | | DATE: 2015.09.16 | 508002S | | | | |
| REV. | ECO. NO. | DISCRIPTION | | | UNITS | SCALE | SIZE | SHEET | REV. |
| | | | ANGULAR ± (1°) | | mm inch | ~ | A4 | 1/1 | G |