

*** 7623 Series ***

Material :

* Insulator : UL 94V-0 PBT

* Contact : Phosphor Bronze

Ordering Information:

7623 - 06 06 $\frac{*}{1} \frac{*}{2}$

RoHS COMPLIANT

1. Plating :

U=Gold flash over 30μ "min. nickel overall

W= 15μ "min. gold over 30μ " min. nickel overall

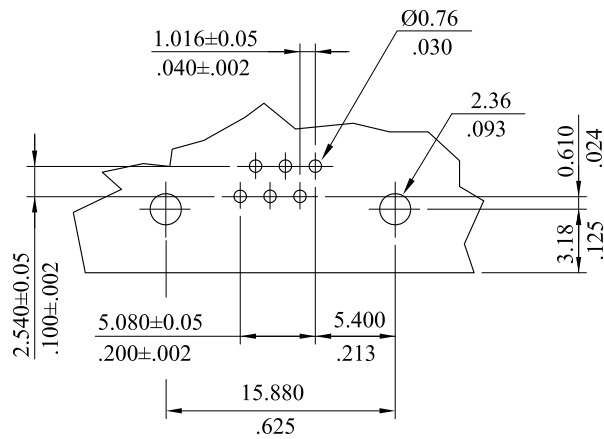
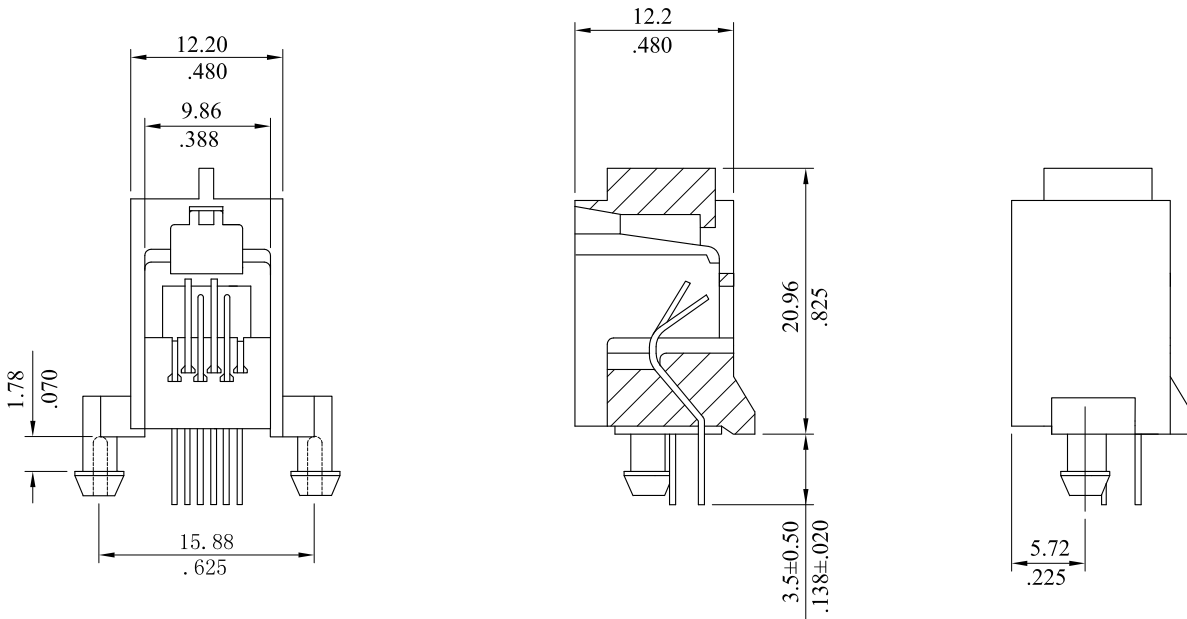
Z= 30μ "min. gold over 30μ " min. nickel overall

G= 50μ "min. gold over 30μ " min. nickel overall

2. Color :

0 = Gray

1 = Black



Recommended Hole Pattern

E	ES101204				LEOCO CORPORATION	APPROVED:	PART NO.:					
D	ES071028					DATE:	7623-0606**					
C	ES050802			GENERAL TOLERANCES: (UNLESS SPECIFIED)		CHECKED:	TITLE:					
B	E970222					DATE:	JACK					
A	DWG REL			1 PLACE	± 0.30	± --	DRAWN:	DRAWING NO.:				
REV.	ECO. NO.	CHG.	APP.	2 PLACES	± 0.20	± .012	DATE:	762302S				
				3 PLACES	± 0.10	± .008		UNITS	SCALE	SIZE	SHEET	REV.
				4 PLACES	± --	± .004		$\frac{mm}{inch}$	2:1	A4	1/1	E
				ANGULAR ± (1°)								