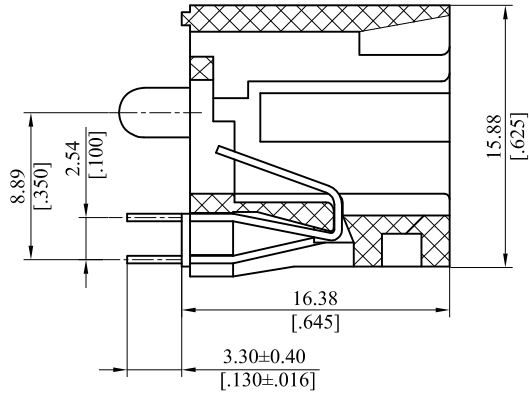
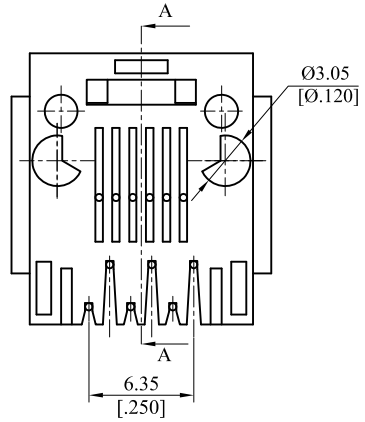
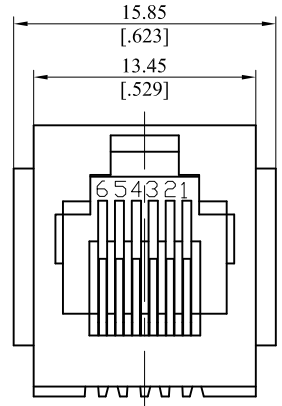


RoHS COMPLIANT

CUSTOMER DRAWING			
REV.	ECO. NO.	DESCRIPTION	DATE
A	DWG. REL.	APPROVED	
D	E980281		
E	E010086		
F	ES071028		
G	ES101204		
H	ES171116	Drawing Update	2017.11.22



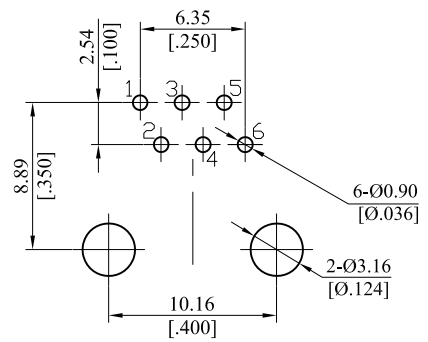
Section A-A



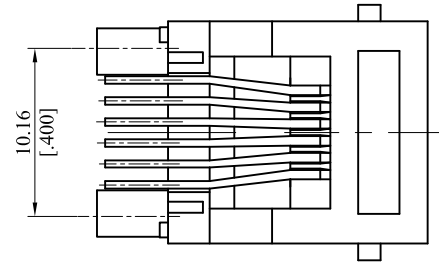
Note:
 Material:
 Insulator: Thermoplastic, UL94 V-0
 Contact: Phosphor Bronze;
 Specification:
 Current Rating: 1.5A AC,DC
 Voltage Rating: 125V AC,DC
 Temperature Rating: -40°C ~ +85°C

General Part Number:
 7625-0606* 0
 1 2

1. Plating:
 U = Gold flash over 30µ" min. Nickel underplating overall
 W = 15µ" min. Gold over 30µ" min. Nickel underplating overall
 Z = 30µ" min. Gold over 30µ" min. Nickel underplating overall
 G = 50µ" min. Gold over 30µ" min. Nickel underplating overall
2. Option:
 0=Black, without key, with standoff



Recommended P.C.B Layout
 General Tolerance: ±0.05



TOLERANCE UNLESS OTHERWISE SPECIFIED			LEOCO CORPORATION http://www.leoco.com.tw	
mm	mm	inch	APPROVED BY:	DATE:
[inch]			Chard	2017.11.24
1 PLACE	± 0.30	± ---	CHECKED BY:	DATE:
2 PLACES	± 0.20	± .012	Cedric	2017.11.24
3 PLACES	± 0.10	± .008	DRAWN BY:	DATE:
4 PLACES	± ---	± .004	Jim	2017.11.24
ANGULAR ±1°			SIZE:	SCALE:
			A3	1:1
			TITLE: PCB Mount Telephone Jack	
			PART NO.: 7625-0606*0	
			DRAWING NO.:	REV.:
			762504S	H
			SHEET:	
			1 OF 1	