

1

2

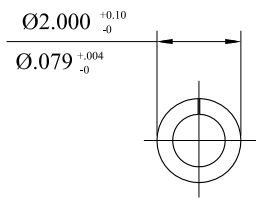
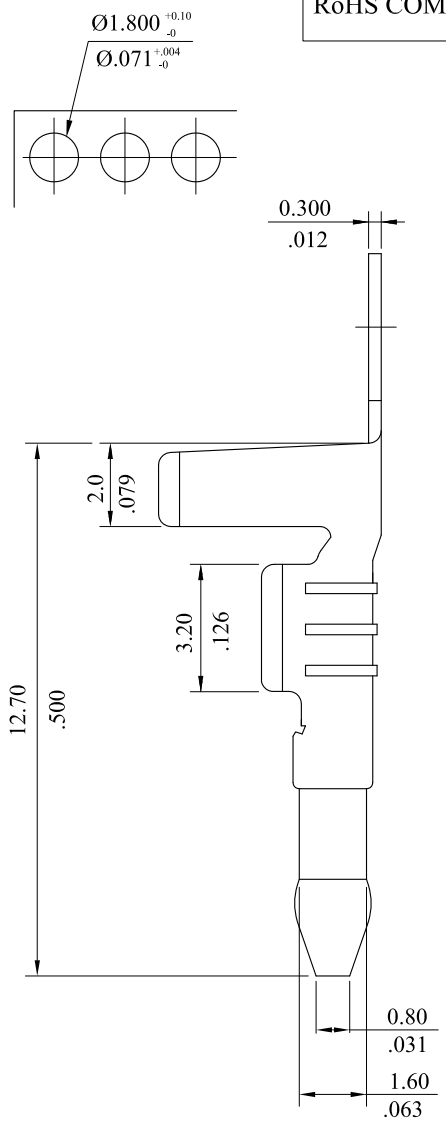
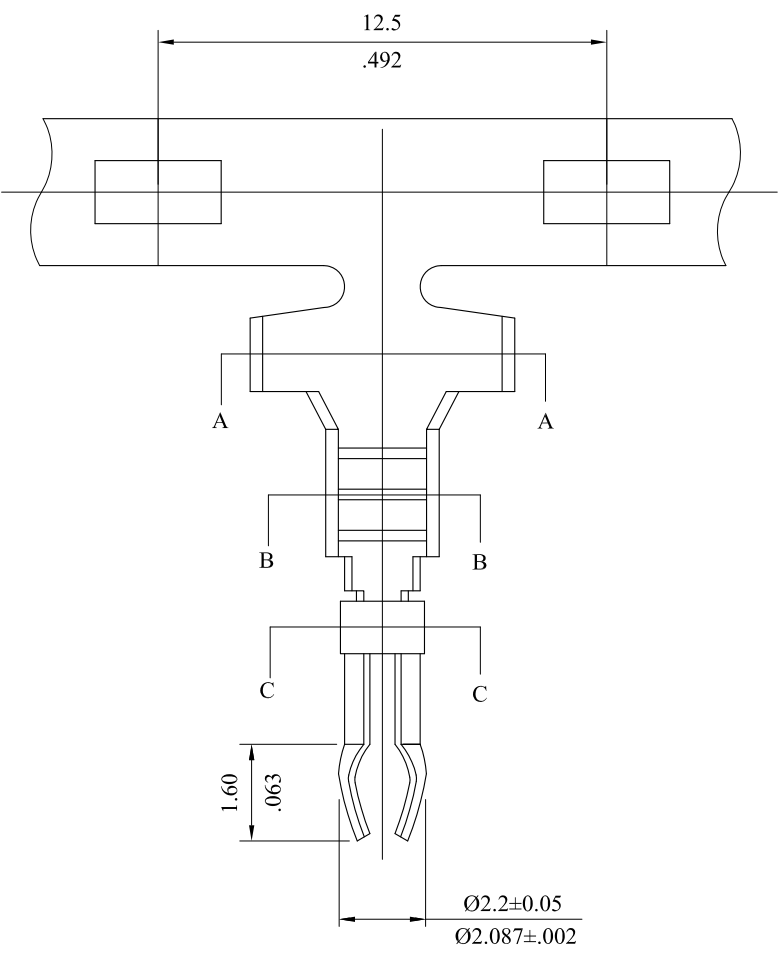
3

4

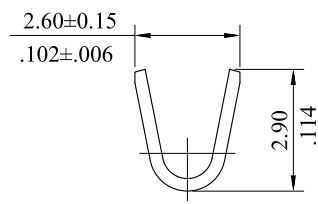
NOTES:

- * Material: Phosphor Bronze
- * Plating: Tin Plated

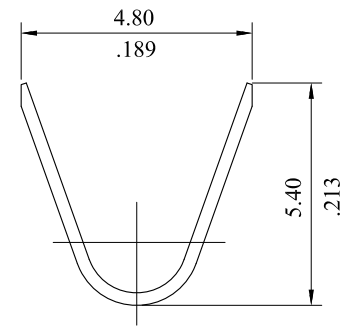
RoHS COMPLIANT



SECTION C-C



SECTION B-B



SECTION A-A

				LEOCO CORPORATION		APPROVED:		PART NO.: 9193TPBOV2A					
				GENERAL TOLERANCES: (UNLESS SPECIFIED)		DATE:		TITLE: BOARD IN TERMINAL					
						CHECKED:		DRAWING NO.: 919307S					
						DATE:							
B	ES101204			1 PLACE	± 0.30	± --	DRAWN:						
A	DWG REL			2 PLACES	± 0.20	± .012	DATE:						
				3 PLACES	± 0.10	± .008			UNITS	SCALE	SIZE	SHEET	REV.
REV.	ECO. NO.	CHG.	APP.	4 PLACES	± --	± .004			mm	5:1	A4	1/1	B
				ANGULAR ± (1°)									

1

2

3

4