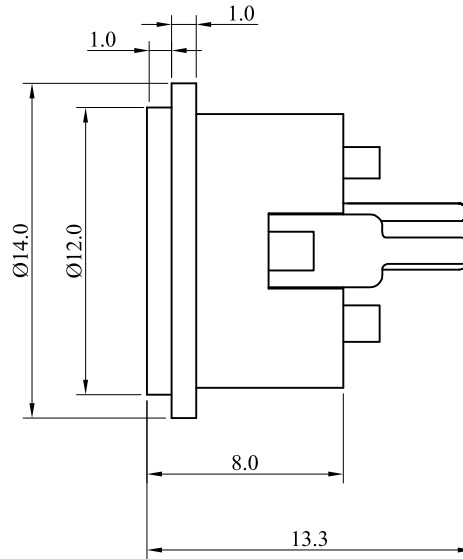
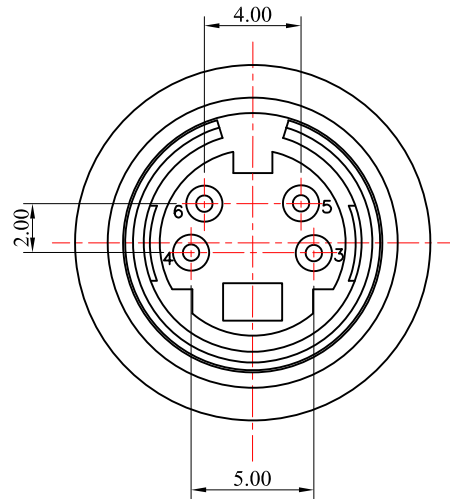


REV.	ECO. NO.	DESCRIPTION	DATE
A	DWG. REL.	APPROVED	2022.10.19

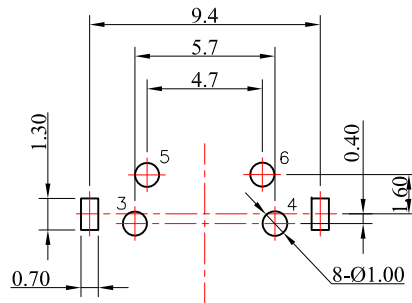


Note:

Material:  
 Insulator: Thermoplastic, UL94 V-0, Black  
 Terminal: Brass  
 Shell: Brass

General Part Number:  
 MDST-04 \* 000  
 1 2

- No. of circuit.
- Plating:  
 0= Tin plated 120u" min. over 30u" min. Nickel underplating overall  
 S= Silver plated  
 U= Gold flash over 30u" min. Nickel underplating overall



PCB Layout (Bottom View)

TOLERANCE UNLESS OTHERWISE SPECIFIED			<b>LEOCO CORPORATION</b> <a href="http://www.leoco.com.tw">http://www.leoco.com.tw</a>			
mm	mm	inch	APPROVED BY:	DATE:	TITLE:  4 Pin Socket Mini Din	
1 PLACE	± 0.30	± --	Chard	2022.10.19		
2 PLACES	± 0.20	± --	CHECKED BY:	DATE:	PART NO.: MDST-04*000	
3 PLACES	± 0.10	± --	Angel	2022.10.19		
4 PLACES	± --	± --	DRAWN BY:	DATE:	DRAWING NO.: MDST05S	
ANGULAR ±1°			Spring	2022.10.19		
			SIZE: A3	SCALE: 1:1		