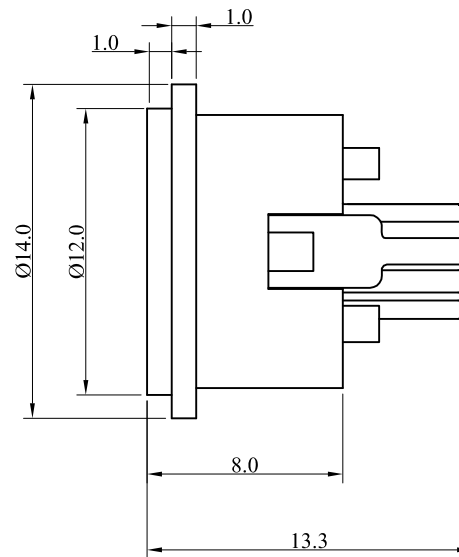
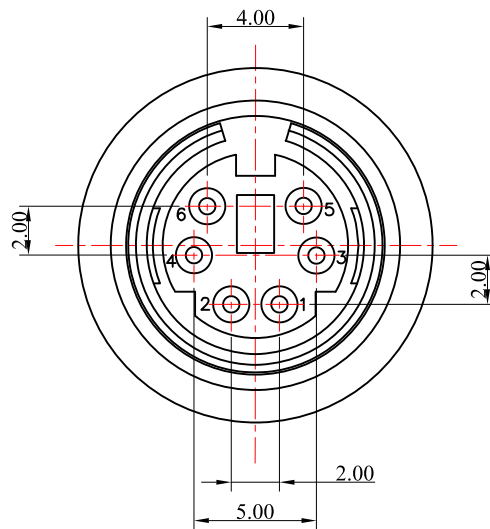


REV.	ECO. NO.	DESCRIPTION	DATE
A	DWG. REL.	APPROVED	2022.10.19



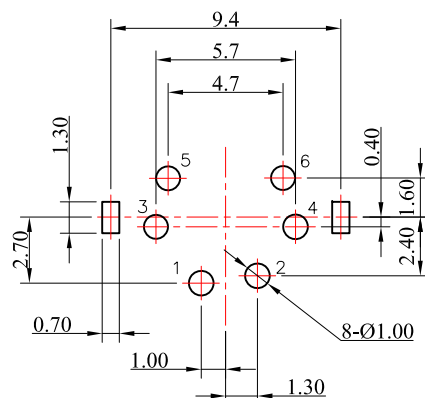
Note:

Material:  
 Insulator: Thermoplastic, UL94 V-0, Black  
 Terminal: Brass  
 Shell: Brass

General Part Number:

MDST-  $\frac{06}{1\ 2}$  \* 000

1. No. of circuit.
2. Plating:  
 0=Tin plated 120u" min. over 30u" min. Nickel underplating overall  
 S=Silver plated  
 U=Gold flash over 30u" min. Nickel underplating overall



PCB Layout (Bottom View)

TOLERANCE UNLESS OTHERWISE SPECIFIED			LEOCO CORPORATION <a href="http://www.leoco.com.tw">http://www.leoco.com.tw</a>		
mm	mm	inch	APPROVED BY:	DATE:	TITLE:
1 PLACE	± 0.30	± ---	Chard	2022.10.19	6 Pin Socket Mini Din
2 PLACES	± 0.20	± ---	CHECKED BY:	DATE:	
3 PLACES	± 0.10	± ---	Angel	2022.10.19	PART NO.: MDST-06*000
4 PLACES	± ---	± ---	DRAWN BY:	DATE:	
ANGULAR ±1°			Spring	2022.10.19	DRAWING NO.: MDST07S
SIZE:	A3	SCALE:	1:1		REV.: A
					SHEET: 1 OF 1