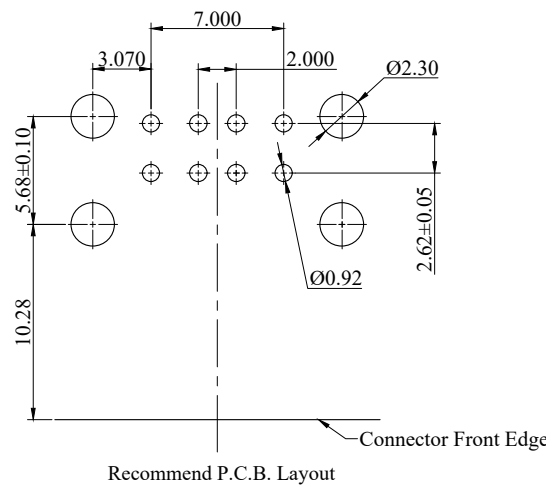
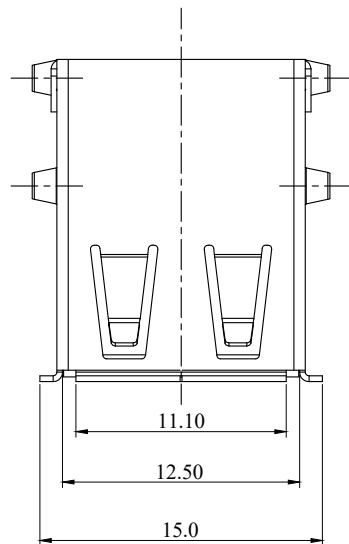


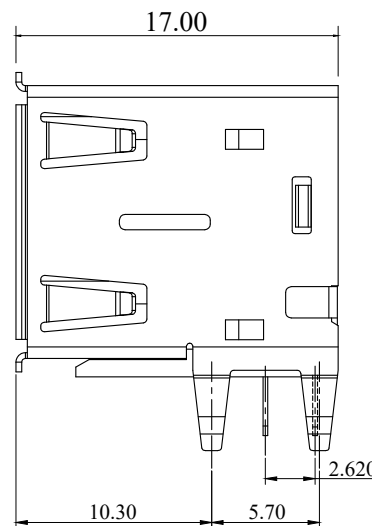
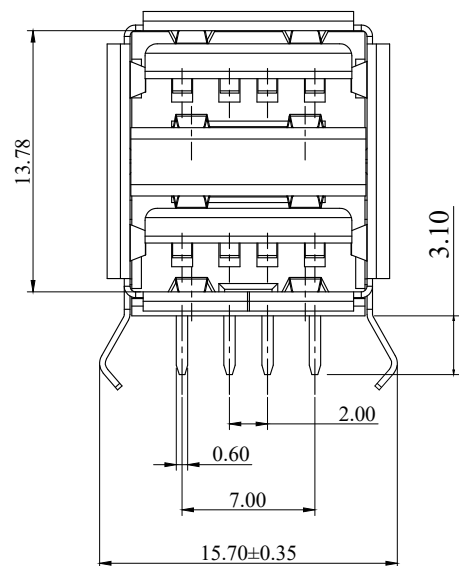
REV.	ECO. NO.	DESCRIPTION	DATE
A	DWG. REL.	APPROVED	
B	ES071037	APPROVED	
C	ES101222	APPROVED	
D	ES131215	Change shell concave	2014.02.11
E	ES221010	Change shell and plastic body structural shape	2023.01.29
F	ES250106	Change shell and plastic body structural shape	2025.02.18



Note:
 Material:
 Insulator: Thermoplastic,UL94V-0
 Contact: Copper Alloy/Selective gold flash
 Shell: Copper Alloy/Ni Plated

General Part Number:
 2075S1F01*Z
 1

1.Color
 1=Black
 2=White



TOLERANCE UNLESS OTHERWISE SPECIFIED			LEOCO CORPORATION http://www.leoco.com.tw		
mm	mm	inch	APPROVED BY:	DATE:	TITLE:
1 PLACE	± 0.30	± ---	Chard	2025.02.18	USB A TYPE RIGHT ANGLE TYPE DOUBLE CONNECTOR
2 PLACES	± 0.20	± ---	Spring	2025.02.18	
3 PLACES	± 0.10	± ---	Angel	2025.02.18	PART NO.:
4 PLACES	± ---	± ---			2075S1F01*Z
ANGULAR ±1°			SIZE: A3	SCALE: 1:1	DRAWING NO.: 207559S
					REV.: F
					SHEET: 1 OF 1