

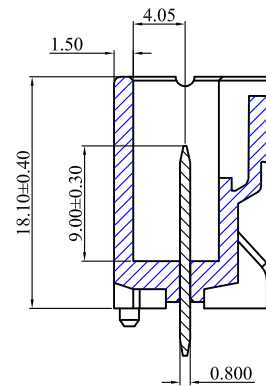
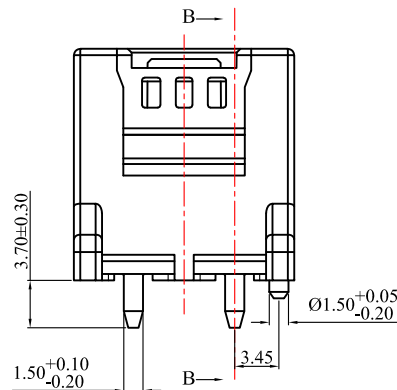
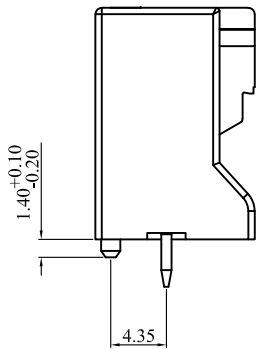
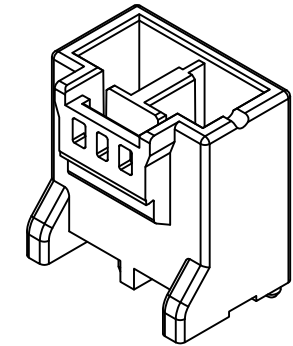
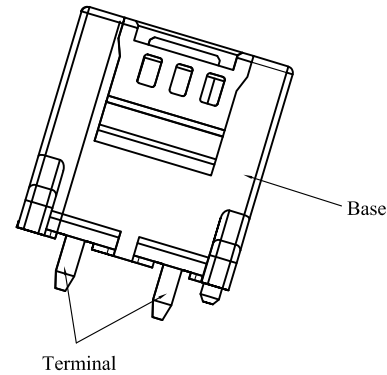
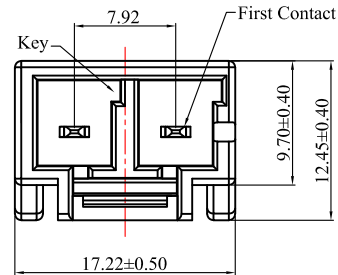
RoHS COMPLIANT

CUSTOMER DRAWING

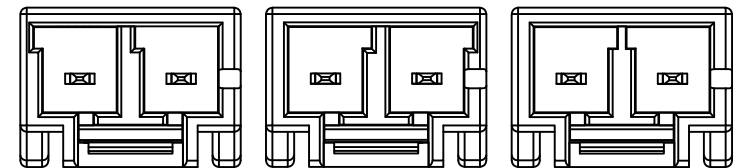
NOTE:

- Material :
 BASE: PA66+25%GF, UL94V-0
 Terminal: Copper Alloy.
 Finish: Selected Au 8μ" min. on contact area and Tin Plated 80μ" min. on solder tail over Ni 40μ" min. overall.
- Compliant with IEC 60695-2-11 and IEC 60335-1 (750°C ,Flame<2S)

REV.	ECO. NO.	DESCRIPTION	DATE
A	DWG. REL.	APPROVED	2022.07.25
B	ES221108	A-1: Add Note 2 Compliant with IEC 60695-2-11 and IEC 60335-1(750°C ,Flame<2S)	2022.11.30
C	ES221207	Add Page 2: Specifications For 2P	2022.12.08



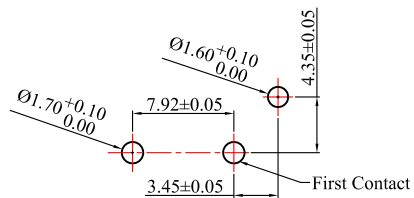
Section B-B



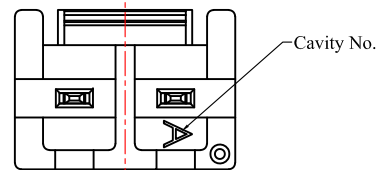
7920P02VERB
(Black Color)

7920P02VELR
(Red Color)

7920P02VE00
(Nature Color)



PCB Layout



TOLERANCE UNLESS OTHERWISE SPECIFIED			LEOCO CORPORATION		
mm			http://www.leoco.com.tw		
[inch]	mm	inch	APPROVED BY:	DATE:	TITLE:
1 PLACE	± 0.30	± --	Topmoon	2022.12.08	7.92mm Pitch Wafer
2 PLACES	± 0.20	± --	CHECKED BY:	DATE:	
3 PLACES	± 0.10	± --	DRAWN BY:	DATE:	PART NO.:
4 PLACES	± --	± --	Andesi	2022.12.08	7920P**VE**
ANGULAR ±1°			SIZE: A3	SCALE: 1:1	DRAWING NO.: 792002S
					REV.: C
					SHEET: 2 OF 2

RoHS COMPLIANT

CUSTOMER DRAWING

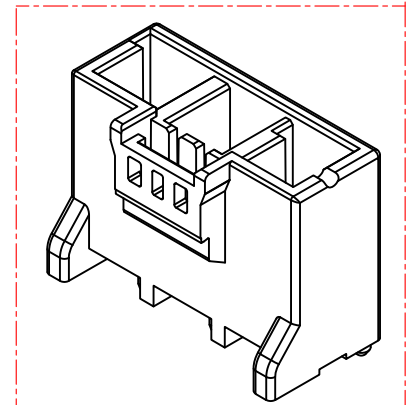
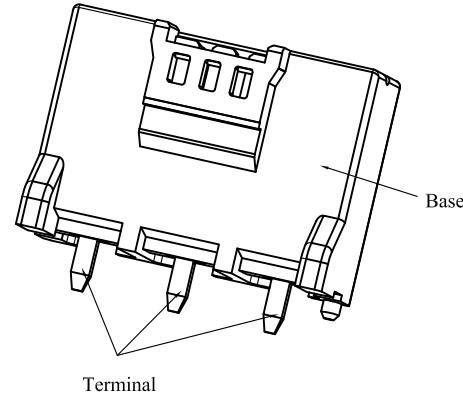
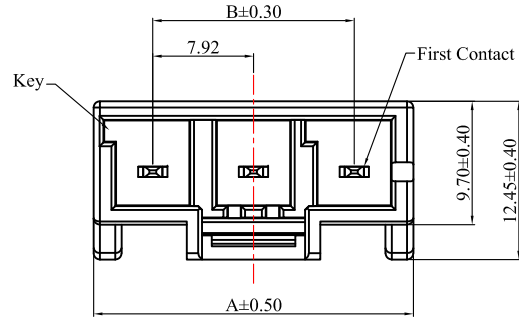
REV.	ECO. NO.	DESCRIPTION	DATE
A	DWG. REL.	APPROVED	2022.07.25
B	ES221108	A-1 Add Note 2 Compliant with IEC 60695-2-11 and IEC 60335-1,(750°C ,Flame<2S)	2022.11.30
C	ES221207	Add Page 2: Specifications For 2P	2022.12.08

NOTE:

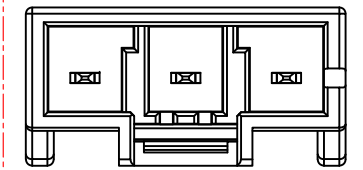
- Material :
 BASE: PA66+25%GF, UL94V-0
 Terminal: Copper Alloy.
 Finish: Selected Au 8μ" min. on contact area and Tin Plated 80μ" min. on solder tail over Ni 40μ" min. overall.
- Compliant with IEC 60695-2-11 and IEC 60335-1 (750°C ,Flame<2S)

Order Part Number:
 7920P ** VE **
 1 2

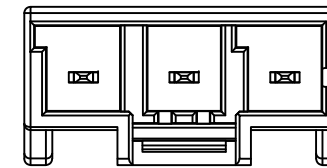
- No. of circuits
- Key & Color Option:
 00=Standard type, Nature color
 RB=Right type, Black color
 LR=Left type, Red color



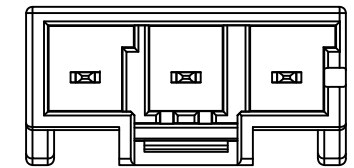
Circuits	Dim.A	Dim.B
2	17.22	7.92
3	25.14	15.84
4	33.06	23.76
5	40.98	31.68



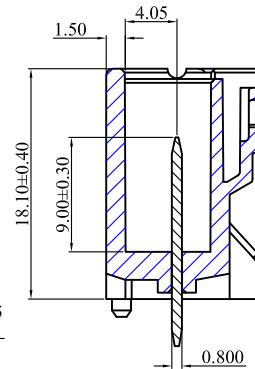
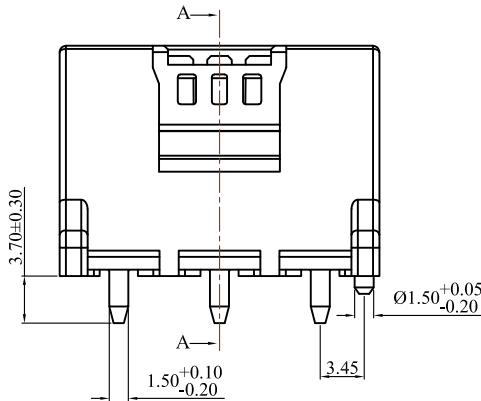
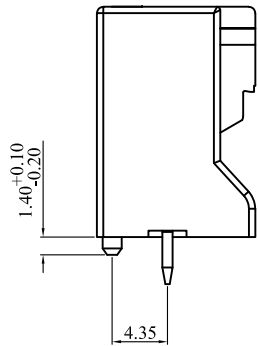
7920P**VE00
 (Nature Color)



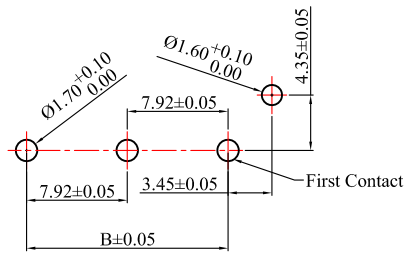
7920P**VERB
 (Black Color)



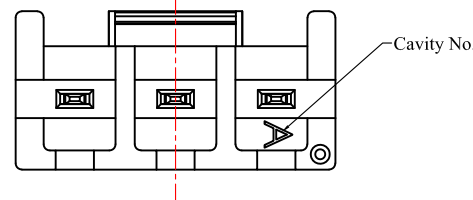
7920P**VELR
 (Red Color)



Section A-A



PCB Layout



TOLERANCE UNLESS OTHERWISE SPECIFIED			LEOCO CORPORATION		
mm			http://www.leoco.com.tw		
[inch]	mm	inch	APPROVED BY:	DATE:	TITLE:
1 PLACE	± 0.30	± ---	Topmoon	2022.12.08	7.92mm Pitch Wafer
2 PLACES	± 0.20	± ---	CHECKED BY:	DATE:	
3 PLACES	± 0.10	± ---	DRAWN BY:	DATE:	PART NO.:
4 PLACES	± ---	± ---	Andesi	2022.12.08	7920P**VE**
ANGULAR ±1°			SIZE: A3	SCALE: 1:1	DRAWING NO.: 792002S
					REV.: C
					SHEET: 1 OF 2