

RoHS COMPLIANT

CUSTOMER DRAWING

REV.	ECO. NO.	DESCRIPTION	DATE
A	DWG. REL.	APPROVED	2023.12.14

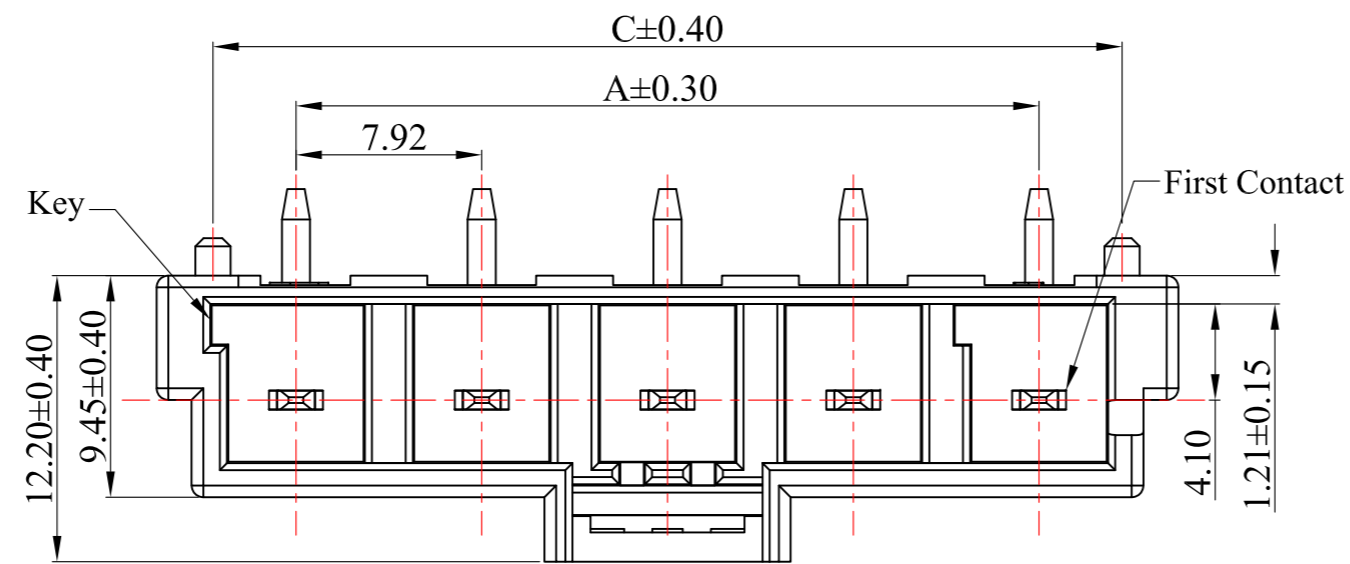
NOTE:

- Material :
Base: PA66+25%GF, UL94V-0
Terminal: Copper Alloy.
Finish: Tin Plated 80μ" min. over Ni 20μ" min. overall.
- Compliant with IEC 60695-2-11 and IEC 60335-1 (750°C ,Flame<2S)
- Current rating: 15A

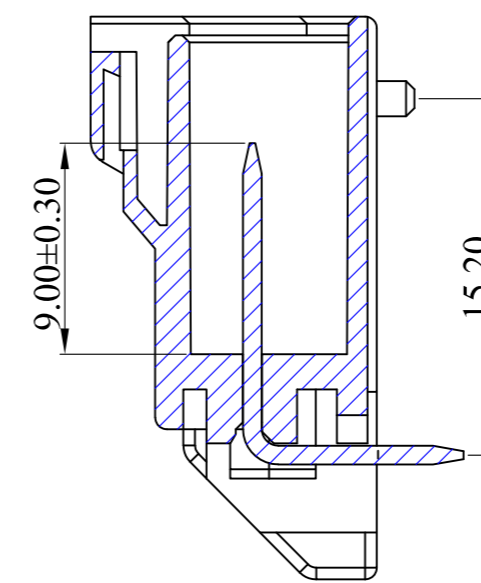
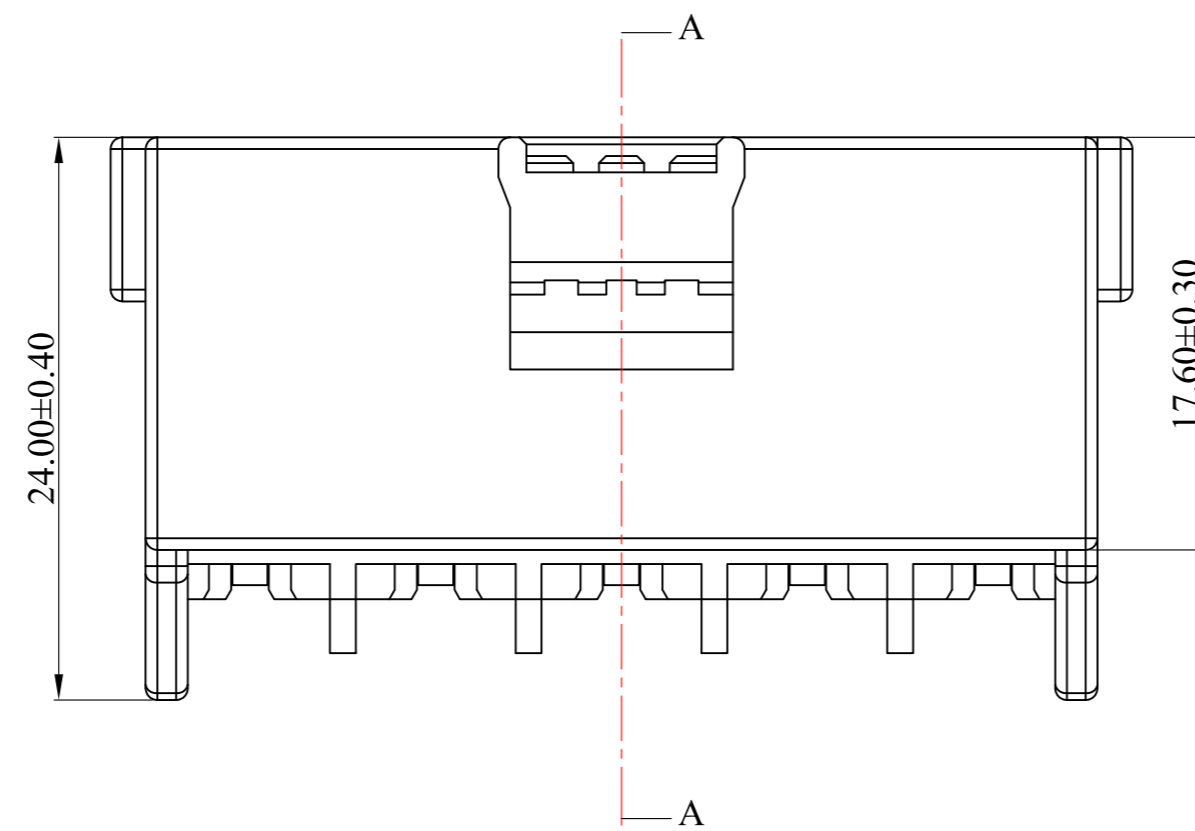
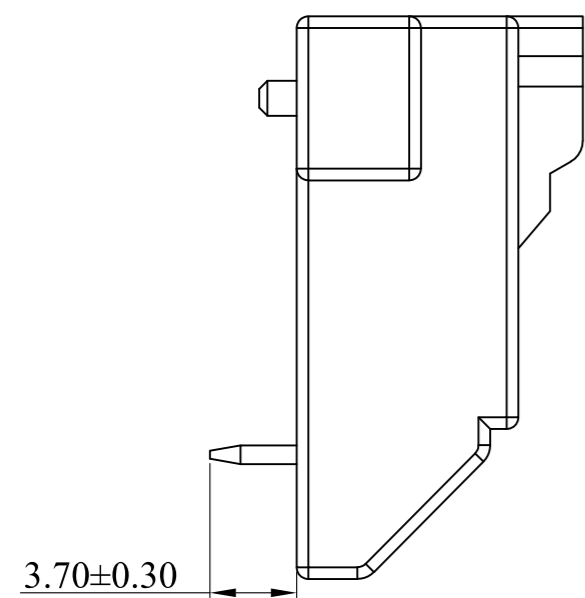
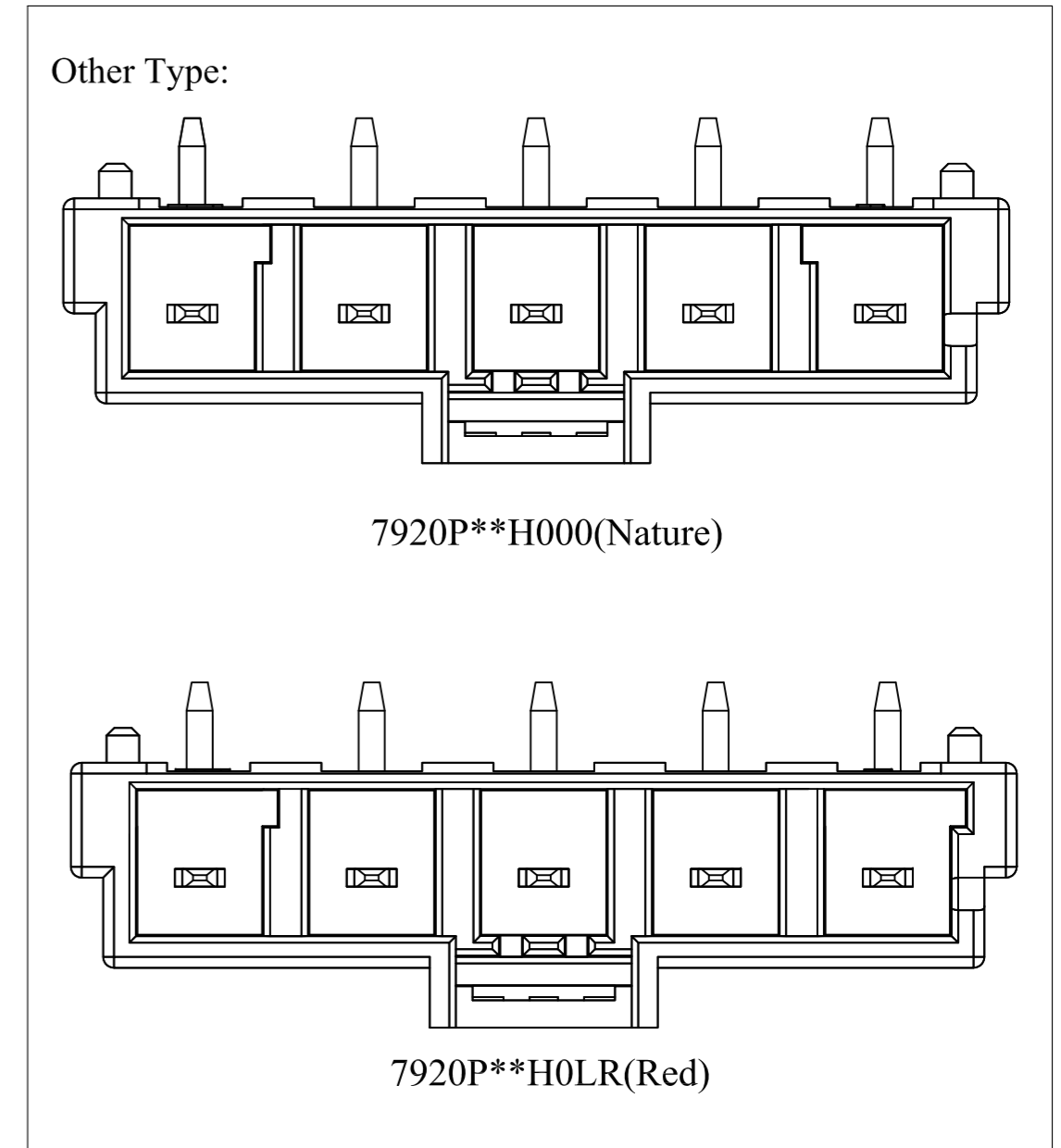
Order Part Number:

7920P**H0**
1 2

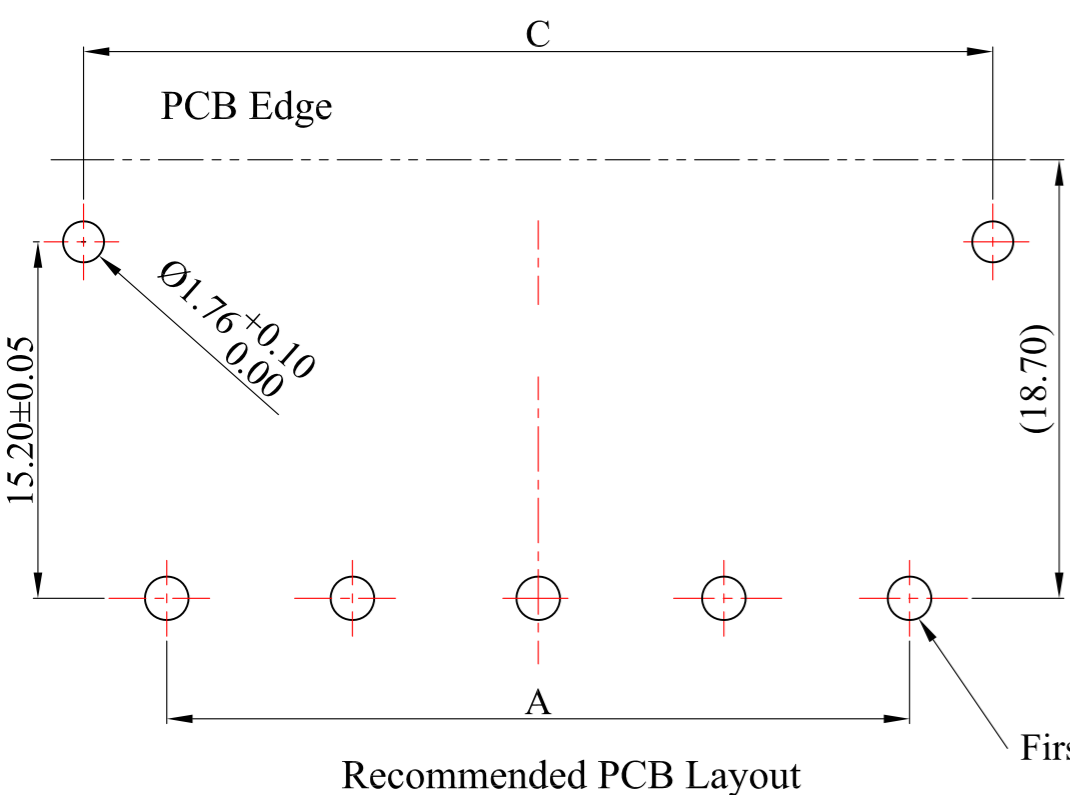
- No. of circuits
- Key's Direction and Color Option:
RB=Right Type,Black
LR=Left Type,Red
00=Standard Type,Nature



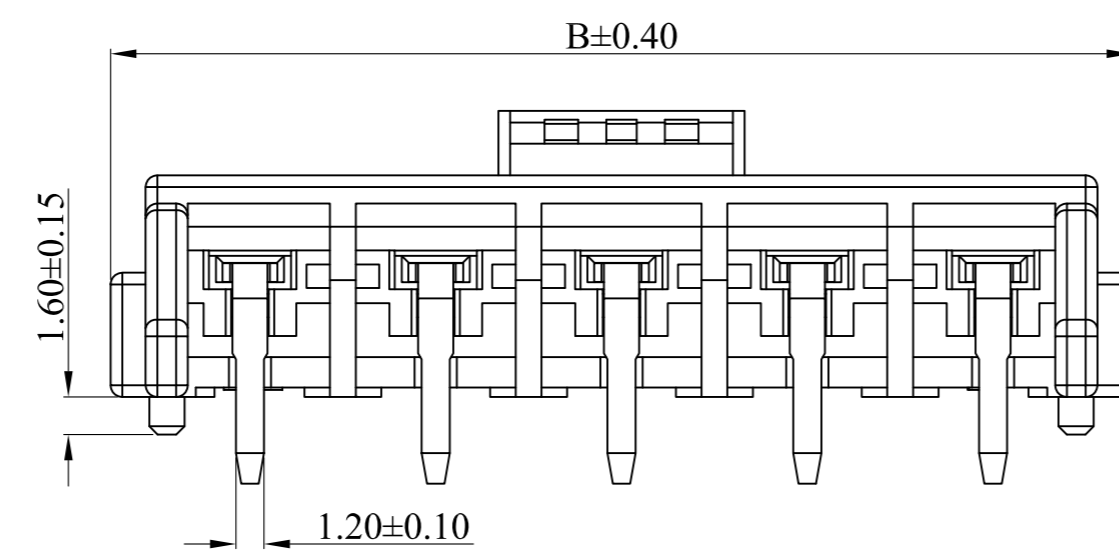
7920P**H0RB(Black)



Section A-A



Recommended PCB Layout



Circuits	A	B	C
02	7.92	19.80	15.00
03	15.84	27.72	22.92
04	23.76	35.64	30.84
05	31.68	43.56	38.76

TOLERANCE UNLESS OTHERWISE SPECIFIED			LEOCO CORPORATION http://www.leoco.com.tw		
mm	mm	inch	APPROVED BY: Chard	DATE: 2023.12.14	TITLE: 7.92mm Pitch H Type Header
1 PLACES	± 0.30	± ---	CHECKED BY: Topmoon	DATE: 2023.12.14	PART NO.: 7920P**H0**
2 PLACES	± 0.20	± ---	DRAWN BY: Andesi	DATE: 2023.12.14	
3 PLACES	± 0.10	± ---	SIZE: A3	SCALE: 1:1	DRAWING NO.: 792006S
4 PLACES	± ---	± ---	ANGULAR ±1°		REV.: A
					SHEET: 1 OF 1