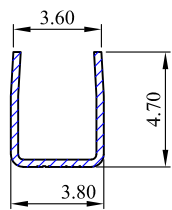
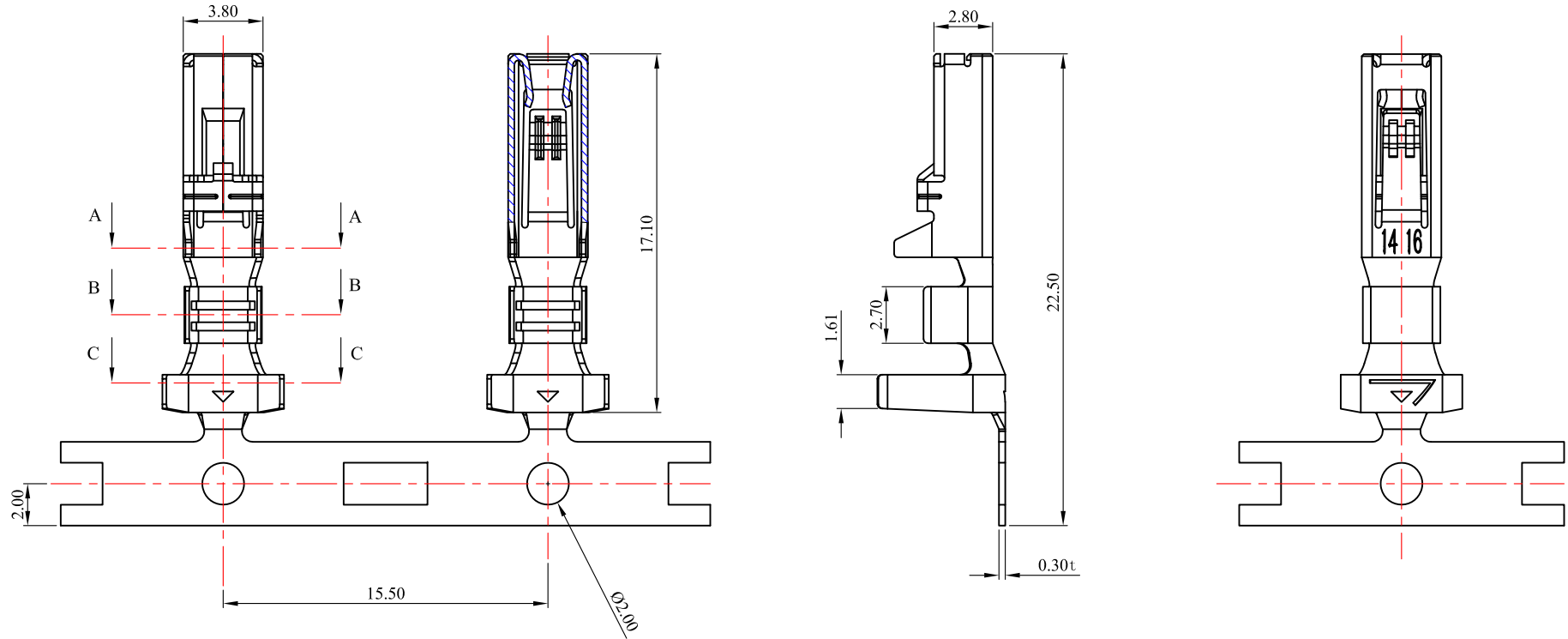


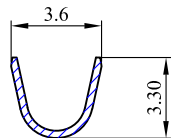
REV.	ECO. NO.	DESCRIPTION	DATE
A	DWG. REL.	APPROVED	2023.12.14

- Note:
1. Material: Copper Alloy ; Thickness is 0.30mm.
 2. Current rating: 15A
 3. Apply to wire for AWG16~AWG14
 4. General Part Number:
7920TCS * 00A

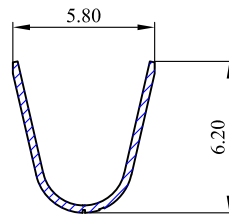
N=Unplated
0=Pre-Tin Plated



Section A-A



Section B-B



Section C-C

TOLERANCE UNLESS OTHERWISE SPECIFIED			LEOCO CORPORATION http://www.leoco.com.tw			
mm	mm	inch	APPROVED BY:	DATE:	TITLE: 7920 Crimp Terminal	
1 PLACE	± 0.30	± ---	Chard	2023.12.14		
2 PLACES	± 0.20	± ---	CHECKED BY:	DATE:	PART NO.: 7920TCS*00A	
3 PLACES	± 0.10	± ---	Topmoon	2023.12.14		
4 PLACES	± ---	± ---	DRAWN BY:	DATE:	DRAWING NO.: 792007S	
ANGULAR ±1°			Andesi	2023.12.14		
SIZE:	A3	SCALE:	1:1		REV.:	A
					SHEET:	1 OF 1