

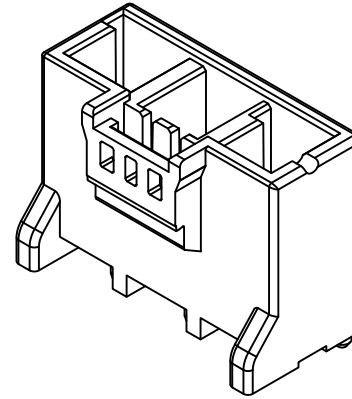
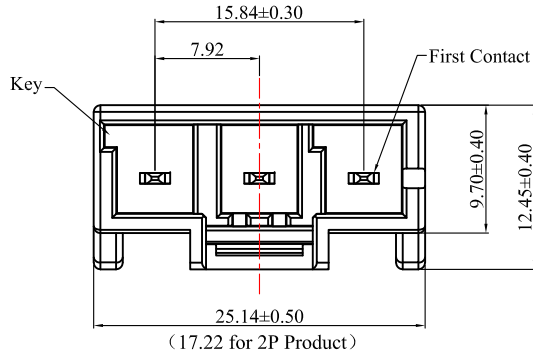
RoHS COMPLIANT

NOTE:

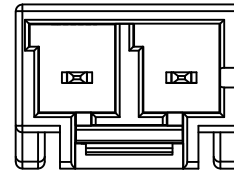
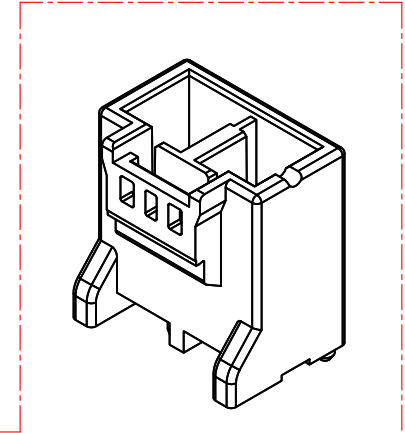
- Material :
 BASE: PA66+25%GF, UL94V-0
 Terminal: Copper Alloy.
 Finish: Tin Plated 80μ" over Ni 20μ" min. overall.
- Compliant with IEC 60695-2-11 and IEC 60335-1
 (750°C ,Flame<2S)

Order Part Number:
 7920P ** V0 **

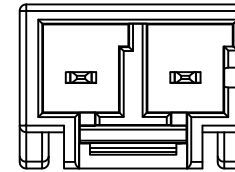
- No. of circuits
- Key & Color Option:
 00=Standard type, Nature color
 RB=Right type, Black color
 LR=Left Type, Red color



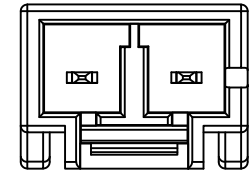
7920P03V0RB (Black)



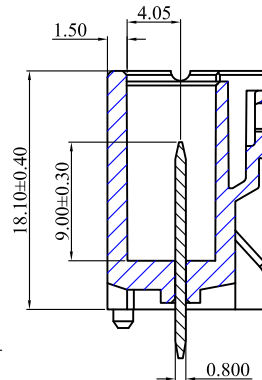
7920P02V0RB
 (Black Color)



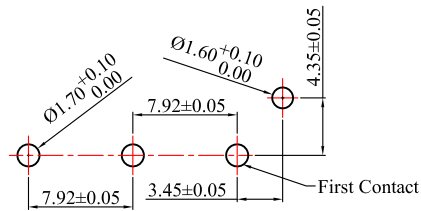
7920P02V0LR
 (Red Color)



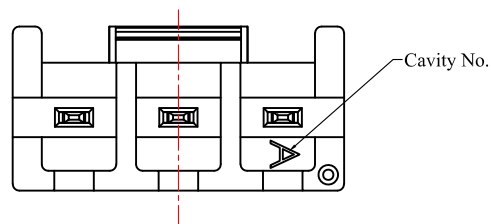
7920P02V000
 (Nature Color)



Section A-A



PCB Layout



CUSTOMER DRAWING			
REV.	ECO. NO.	DESCRIPTION	DATE
B	ES221108	A-1: Add Note 2. Compliant with IEC 60695-2-11 and IEC 60335-1 (750°C, Flame<2S). B-1: Order Part Number: 2. Key's Direction Option: Add L←Left Type; 3. Color of the Base: Add R=Red. D-6: Add '7920P02V0RB' top view D-7: Add '7920P02V0LR' top view	2022.11.30
C	ES240709	B-1: Order Part Number: 7920P ** V0 ** 1. No. of circuits 2. Key's Direction Option: 0=Normal Type R=Right Type L=Left Type 3. Color of the Base: 0=Nature Color D= Black R=Red	2024.07.29

TOLERANCE UNLESS OTHERWISE SPECIFIED			LEOCO CORPORATION		
mm	inch		APPROVED BY: DATE:		TITLE:
1 PLACE	± 0.30	± --	Chard	2024.07.29	7.92mm Pitch Wafer
2 PLACES	± 0.20	± .012	CHECKED BY: DATE:	Topmoon 2024.07.29	
3 PLACES	± 0.10	± .008	DRAWN BY: DATE:	Andesi 2024.07.29	PART NO.:
4 PLACES	± --	± .004	SIZE: A3	SCALE: 1:1	7920P**V0**
ANGULAR ±1°			DRAWING NO.:	REV.:	SHEET:
			792001S	C	1 OF 1