

RoHS COMPLIANT

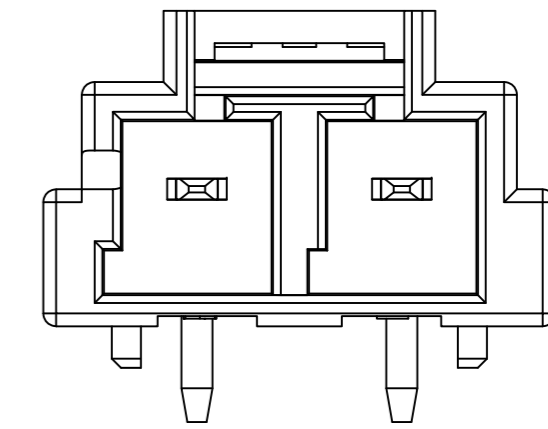
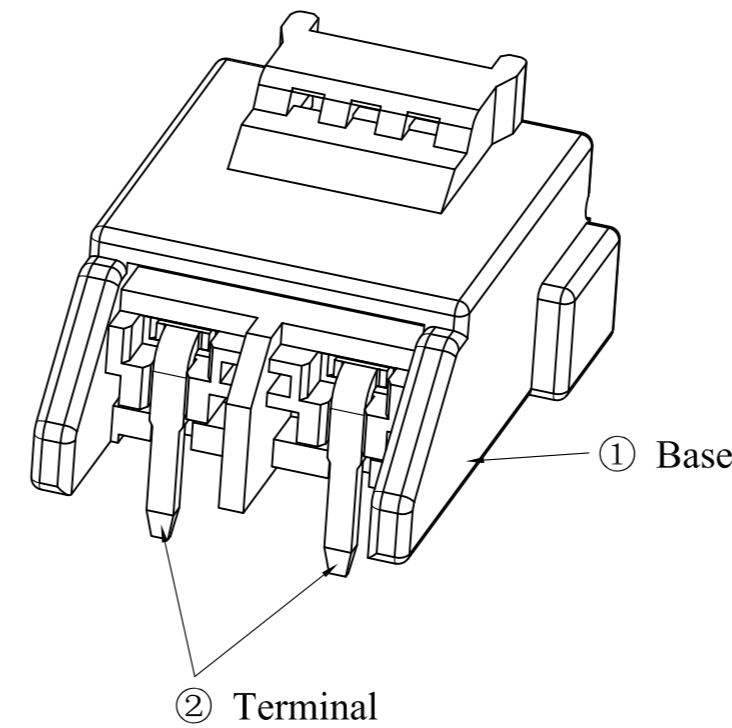
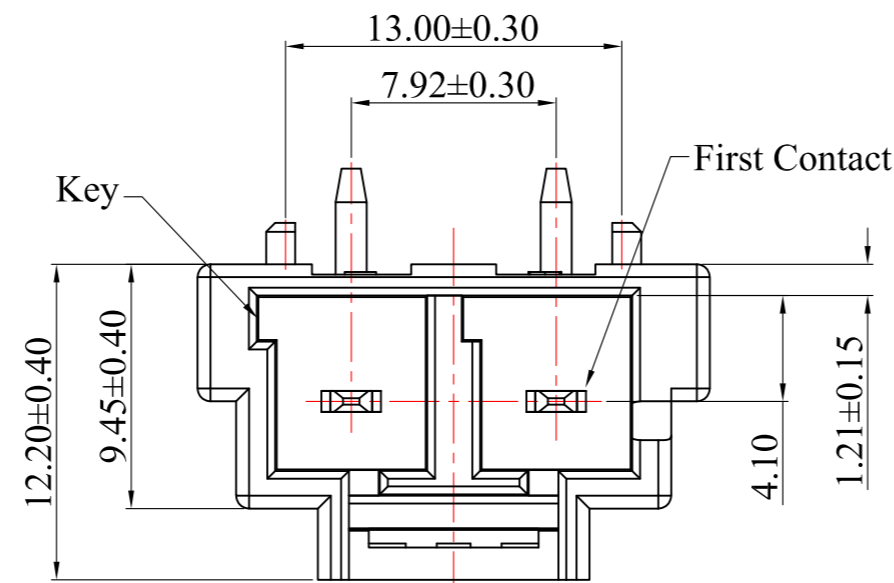
CUSTOMER DRAWING

REV.	ECO. NO.	DESCRIPTION	DATE
A	DWG. REL.	APPROVED	2022.12.07

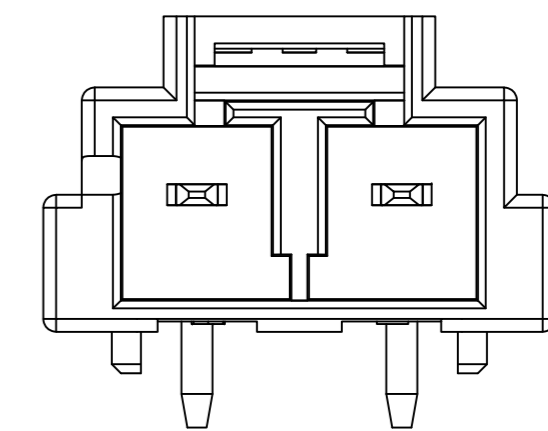
NOTE:
 1. Material :
 Base: PA66+25%GF, UL94V-0
 Terminal: Copper Alloy.
 Finish: Tin Plated 80μ" min. over Ni 20μ" min. overall.
 2. Compliant with IEC 60695-2-11 and IEC 60335-1
 (750°C ,Flame<2S)

Order Part Number:
 7920P 02 H0 * *
 1 2

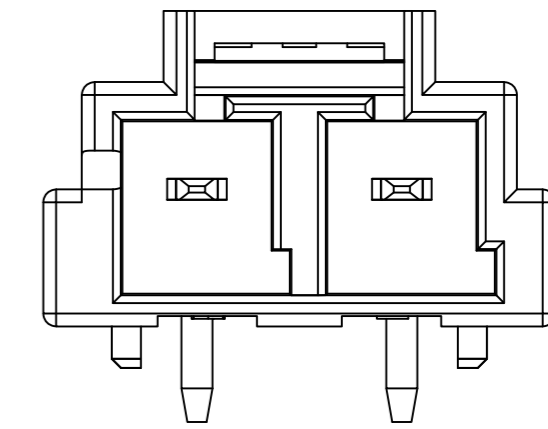
1. No. of circuits
 2. Key's Direction and Color Option:
 RC=Right Type,Black
 LD=Left Type,Red
 0N=Standard Type,Nature



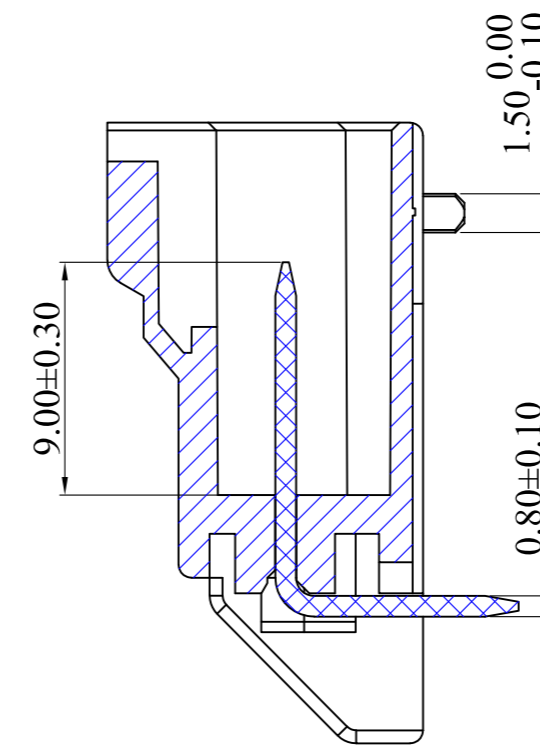
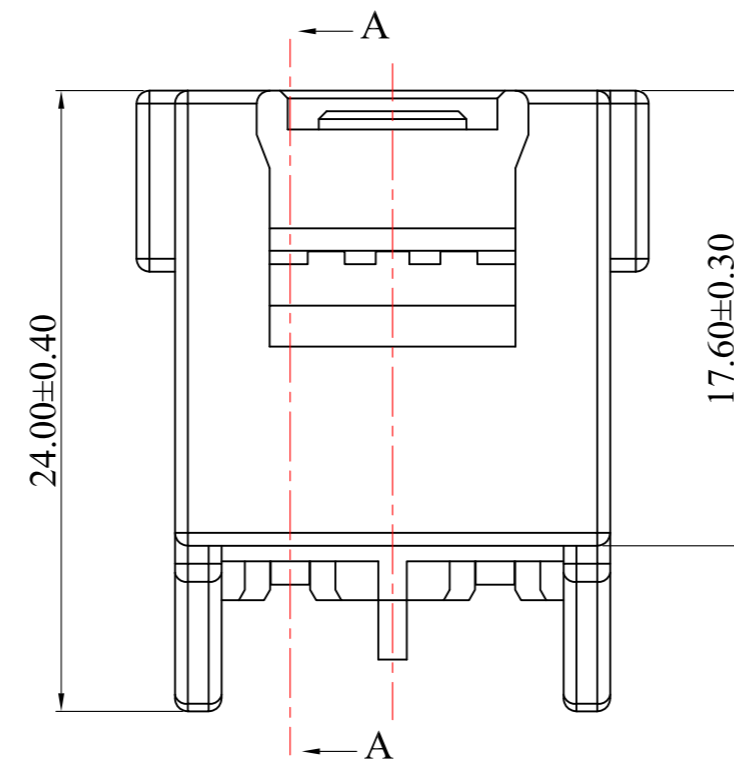
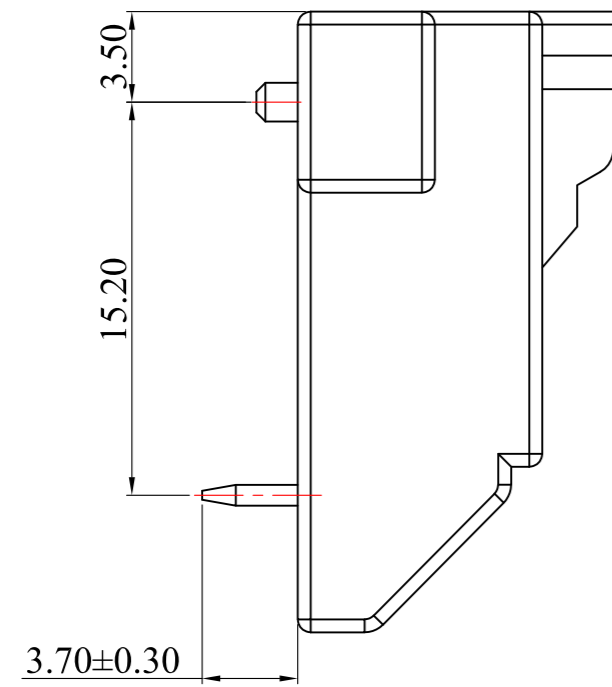
7920P02H0LD
 L Type (Gudie Key: Left side,Color Red)



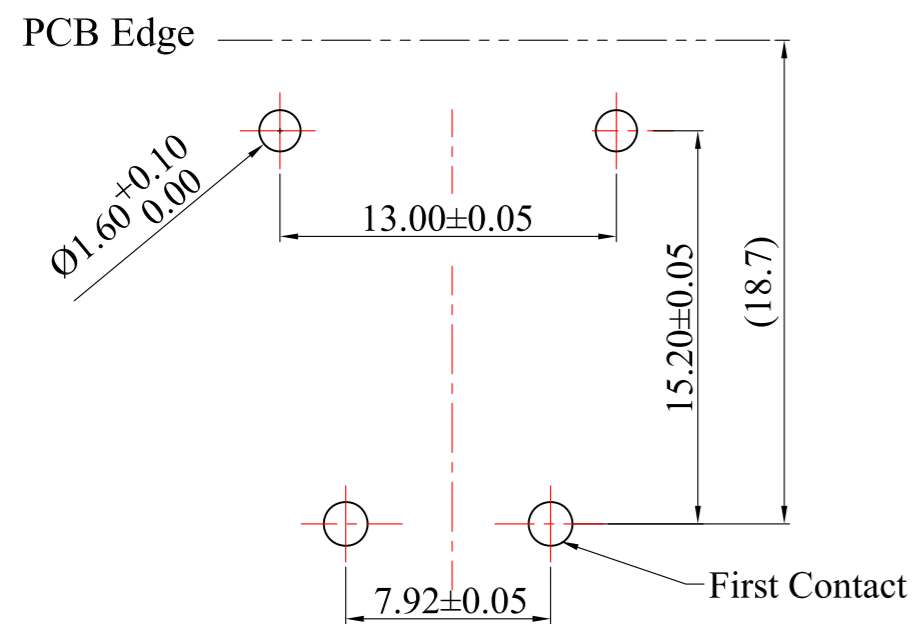
7920P02H00N
 Standard Type (Gudie Key: Inside,Color Nature)



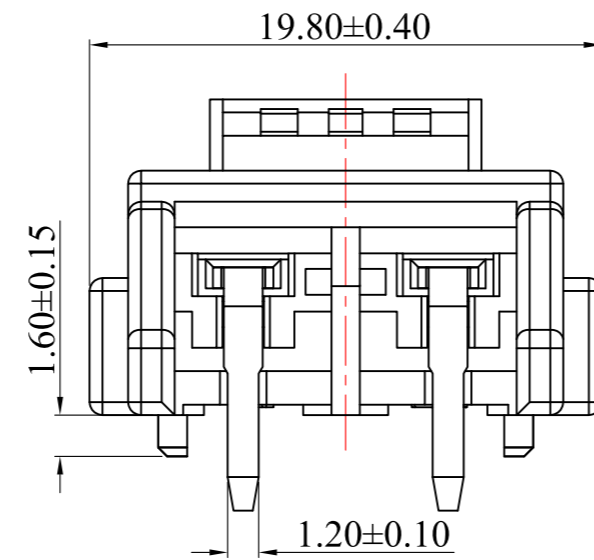
7920P02H0RC
 R Type (Gudie Key: Right side,Color Black)



Section A-A



Recommended PCB Layout



TOLERANCE UNLESS OTHERWISE SPECIFIED

mm	mm	inch
1 PLACE	± 0.30	± ---
2 PLACES	± 0.20	± ---
3 PLACES	± 0.10	± ---
4 PLACES	± ---	± ---

ANGULAR ±1°



LECO CORPORATION

<http://www.leoco.com.tw>

APPROVED BY: Topmoon	DATE: 2023.06.07	TITLE: 7.92mm Pitch H Type Header
CHECKED BY:	DATE:	
DRAWN BY: Andesi	DATE: 2023.06.07	PART NO.: 7920P**H0**
SIZE: A3	SCALE: 1:1	DRAWING NO.: 792004S
		REV.: A
		SHEET: 1 OF 1