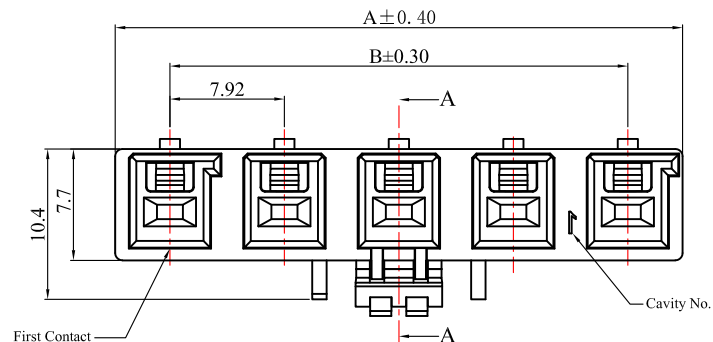
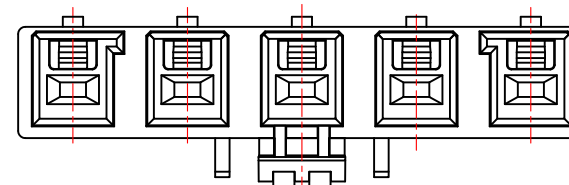


| REV. | ECO. NO.  | DESCRIPTION  | DATE       |
|------|-----------|--|------------|
| A    | DWG. REL. | APPROVED   | 2023.12.14 |
| B    | ES240909  | B-1: Add dimensions: 7.7, 10.4;<br>B-2: Add a dimension: 7.92;<br>E-2: Delete C±0.40;<br>D-4: Add a dimension: 11.55;<br>E-2: Revise Form A Column Dimensions;<br>E-3: Delete Form C Column; | 2024.09.23 |

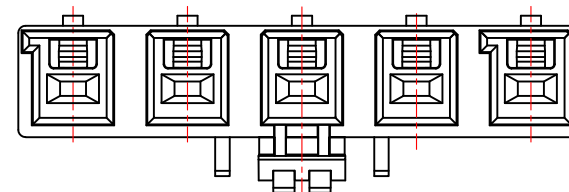


7920S0500RB (Right type, Black)

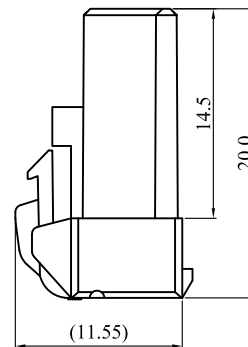
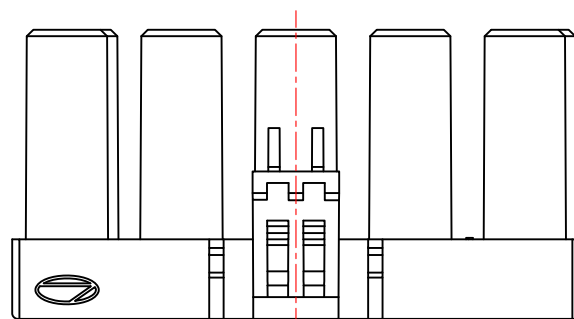
Other Type:



7920S\*\*0000 (Standard type, Nature)



7920S\*\*00LR (Left Type, Red)



NOTE:

1. Material : PA66, UL94V-0
2. Compliant with IEC 60695-2-11 and IEC 60335-1 (750°C ,Flame<2S)
3. Current rating: 15A
4. Apply to wire for AWG16~AWG14

5. Order Part Number:

$$7920S \begin{matrix} ** & 00 & ** \\ 1 & & 2 \end{matrix}$$

1. No. of circuits
2. Key & Color Option:  
00=Standard type, Nature color  
RB=Right type, Black color  
LR=Left Type, Red color

| Circuits | A     | B     |
|----------|-------|-------|
| 02       | 15.50 | 7.92  |
| 03       | 23.42 | 15.84 |
| 04       | 31.44 | 23.76 |
| 05       | 39.26 | 31.68 |

| TOLERANCE UNLESS OTHERWISE SPECIFIED |        |      | LEOCO CORPORATION<br><i>http://www.leoco.com.tw</i> |            |                          |
|--------------------------------------|--------|------|---|------------|--------------------------|
| mm                                   | mm     | inch | APPROVED BY:  | DATE:      | TITLE:                   |
|                                      |        |      | Chard   | 2024.09.23 | 7.92mm Pitch Housing     |
| 1 PLACE                              | ± 0.30 | ± -- | CHECKED BY:   | DATE:      |                          |
| 2 PLACES                             | ± 0.20 | ± -- | Topmoon   | 2024.09.23 | PART NO.:<br>7920S**00** |
| 3 PLACES                             | ± 0.10 | ± -- | DRAWN BY:   | DATE:      |                          |
| 4 PLACES                             | ± --   | ± -- | Andesi  | 2024.09.23 | DRAWING NO.:<br>792005S  |
| ANGULAR ±1°                          |        |      | SIZE:   | SCALE:     |                          |
|                                      |        |      | A3  | 1:1        | B                        |
|                                      |        |      |   |            | SHEET:<br>1 OF 1         |